

## PVC Angle and Y-Pattern Globe Valves



**Chemtrol Figure No.**

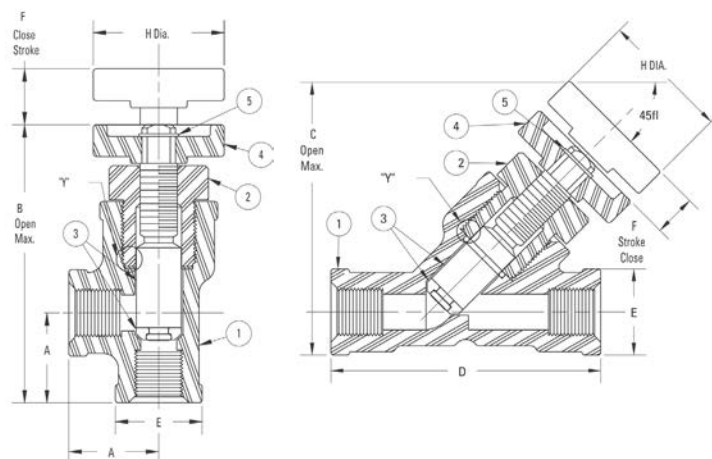
T45AC-V



**Chemtrol Figure No.**

T45YP-V

Both styles available with threaded end connections only.



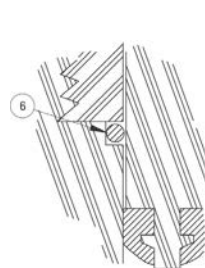
### Features

- Rated at 150 psi with non-shock service at 73°F
- Y-pattern style has a minimal pressure-drop when compared with a conventional upright style globe valve
- Malleable glass reinforced PTFE seat disk ensures long-lasting positive sealing.
- Stub acme thread on stem provides rapid open-close operation.
- Liquid or slurry never touches stem threads.
- Can be used for both on-off and throttling control of fluid flow.
- Easy in-line maintenance.

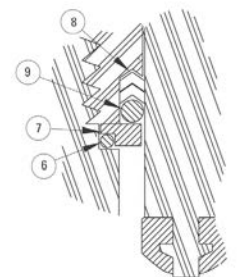
### Construction Materials

Part	Material
1. Body – Angle	PVC
– or Y-Pattern	PVC
2. Bonnet	PVC
3. Stem Assembly	PVC w/ Glass Filled PTFE Seat Disk
4. Handle	PVC
5. Snap Ring Retainer	Zinc Plated Steel
6. O-Ring – Body Seal	FKM
7. Energizer Back-Up Washer <sup>1</sup>	PVC
8. CV Stem Seal (2 required) <sup>1</sup>	PTFE
9. O-Ring – Stem Seal Energizer <sup>1</sup>	FKM

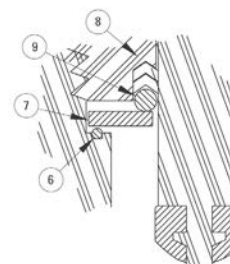
<sup>1</sup> Items not required for 1/4" valve.



Detail "Y" Enlarged View  
1/4" Size Valve



Detail "Y" Enlarged View  
1/2" & 3/4" Size Valve



Detail "Y" Enlarged View  
1" Size Valve

### Valve Dimensions – Weights – Flow Coefficients

Valve Size	Common Dimensions			Angle Valve <sup>1</sup>		Y-Pattern Valve <sup>1</sup>		End-To-End D	Open Max. C	Flow Coef. C <sub>v</sub> <sup>2</sup>	Approx. Weight Lbs.
	Hub Dia. E	Close Stroke F	Handle Dia. H	Center-To-Face A	Open Max. B	Flow Coef. C <sub>v</sub> <sup>2</sup>	Approx. Weight Lbs.				
1/4	0.88	.44	1.32	0.88	3.56	1.1	0.11	2.75	2.75	3.1	0.12
1/2	1.25	.75	2.19	1.31	5.38	5.4	0.28	3.50	4.63	17.7	0.30
3/4	1.50	.94	2.19	1.41	6.50	9.9	0.47	4.25	5.56	32.5	0.53
1	1.75	1.19	2.19	1.88	7.88	15.8	0.69	5.00	6.31	49.3	0.73

<sup>1</sup> Available with threaded end connections only.

<sup>2</sup> C<sub>v</sub> measured with valves completely open.

### Maximum Operating Pressure (psi) vs. Temperature

"Operating Temperature (F)"	PVC
100	150
110	135
120	110
130	75
140	50
150	N.R.

N.R. - Not recommended