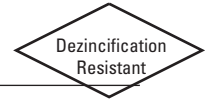


250 PSI CWP Bronze Angle Valves

Screw-in Bonnet • Integral Seat • Renewable Disc

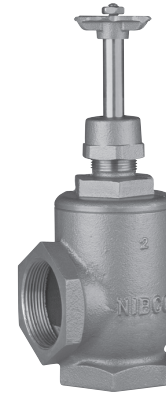


250 PSI/17.2 Bar Non-Shock Cold Working Pressure

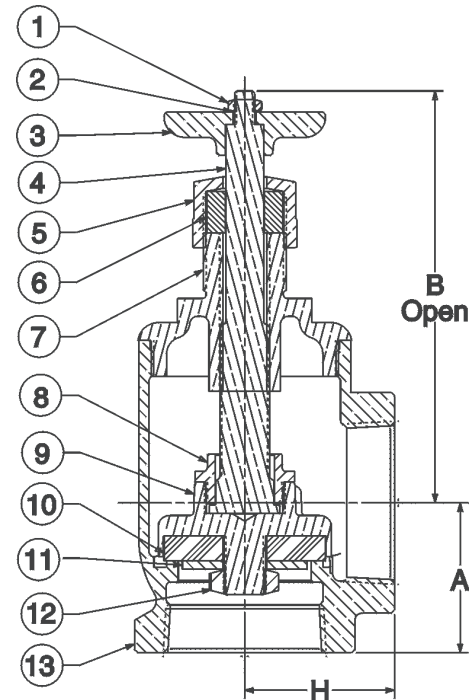
CONFORMS TO MSS SP-80

MATERIAL LIST

| PART | SPECIFICATION |
|-------------------------|--|
| 1. Handwheel Nut | Stainless Steel |
| 2. Identification Plate | Aluminum |
| 3. Handwheel | Bronze Cross ASTM B 62 Alloy C83600 |
| 4. Stem | Silicon Bronze ASTM B 371 Alloy C69430 |
| 5. Packing Nut | Brass ASTM B 16 Alloy C36000 |
| 6. Packing | Aramid Fibers with Graphite |
| 7. Bonnet | Bronze ASTM B 62 Alloy C83600 |
| 8. Disc Holder Nut | Bronze ASTM B 62 Alloy C83600 |
| 9. Disc Holder | Bronze ASTM B 62 Alloy C83600 |
| 10. Seat Disc | Nitrile Rubber (W) |
| 11. Seat Disc Washer | Stainless Steel |
| 12. Seat Disc Nut | Silicon Bronze ASTM B 96 Alloy C65100 |
| 13. Body | Bronze ASTM B 584 Alloy C83600 |



T-381-WK
Threaded



T-381-WK
NPT x NPT

DIMENSIONS—WEIGHTS—QUANTITIES

| Size | Dimensions | | | | | | Weight | | Box | | |
|------|------------|------|-----|------|-----|------|--------|------|------|-----------|-----------|
| | A | | B | | H | | Lbs. | Kg. | Qty. | Ctn. Qty. | |
| In. | mm. | In. | mm. | In. | mm. | In. | mm. | Lbs. | Kg. | Qty. | Ctn. Qty. |
| 2 | 50 | 2.25 | 57 | 7.14 | 181 | 2.25 | 57 | 6.72 | 3.05 | 1 | 6 |

WARNING: This product can expose you to chemicals including lead, which is known to the State of California to cause cancer and birth defects or other reproductive harm. For more information go to www.P65Warnings.ca.gov.