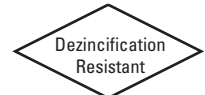


175 PSI WWP Bronze Angle Valves

Fire Protection Valve • Screw-in Bonnet • Integral Seat • Renewable Disc

175 PSI/12.1 Bar Non-Shock Cold Water

CONFORMS TO MSS SP-80 • UL/ULC LISTED*

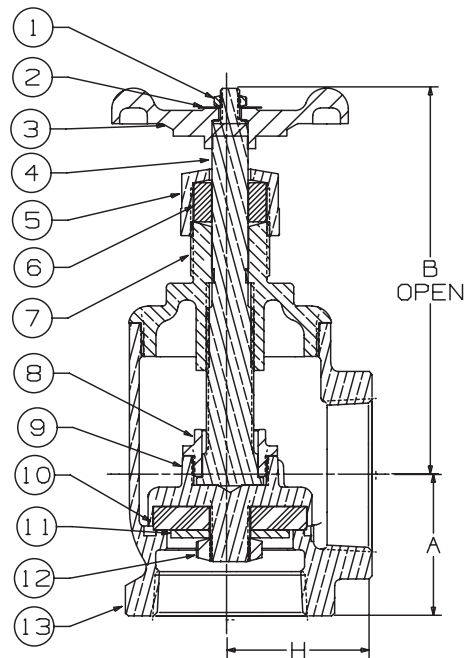


T-301-W
Threaded

MATERIAL LIST

PART	SPECIFICATION
1. Handwheel Nut	300 Series Stainless Steel
2. Identification Plate	Aluminum
3. Handwheel	Aluminum Commercial Alloy C38000
4. Stem	Silicon Bronze ASTM B371 Alloy C69430
5. Packing Gland	Bronze ASTM B62/ ASTM B16†/ ASTM B584 Alloy C84400
6. Packing Nut	Bronze ASTM B62/ ASTM B584 Alloy C84400/ASTM B16
7. Packing	Non Asbestos Aramid Fibers w/Graphite
8. Bonnet	Bronze ASTM B62 Alloy C83600
9. Disc Holder Nut	Bronze ASTM B62 Alloy C83600
10. Disc Holder	Bronze ASTM B62 Alloy C83600
11. Seat Disc	Nitrile (W) (1 1/4" - 2") PTFE (Y) (2 1/2" - 3")
12. Seat Disc Nut	Bronze ASTM B62†/ ASTM B96 Alloy C65100 w/SS Washer
13. Body	Bronze ASTM B62/B584 Alloy C83600

‡ 2 1/2" and 3" size only.
† Not on 2"



T-301-W
NPT x NPT

DIMENSIONS—WEIGHTS—QUANTITIES

Size	Dimensions						Weight		Box Qty.	Master Ctn. Qty.
	A		B		H		Lbs.	Kg.		
In. mm.	In.	mm.	In.	mm.	In.	mm.				
1 1/4 32	2.19	56	6.13	156	2.19	56	3.71	1.69	1	10
1 1/2 40	2.38	60	7.19	183	2.38	60	5.54	2.52	1	10
2 50	2.25	57	7.25	184	2.25	57	6.72	3.05	1	10
**2 1/2 65	3.19	81	10.56	268	3.19	81	16.13	7.33	1	2
**3 80	3.88	86	11.13	283	3.88	86	21.72	9.87	1	2

* UL/ULC Listed for sizes for trim and drain use (Subject 258) - Sizes 1 1/4", 1 1/2", 2".

** Sizes 2 1/2" and 3" supplied as T-311-Y with PTFE seat disc. Subject to AHJ Approval.

NOTE: See KT-67-UL for 1/2"-1" sizes.

WARNING: This product can expose you to chemicals including lead, which is known to the State of California to cause cancer and birth defects or other reproductive harm. For more information go to www.P65Warnings.ca.gov.

Visit our website for the most current information.