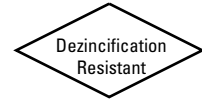


200 PSI CWP Bronze Gate Valves

Screw-in Bonnet • Non-Rising Stem • Solid Wedge • Compact Design



200 PSI/13.8 Bar Non-Shock Cold Working Pressure

MATERIAL LIST

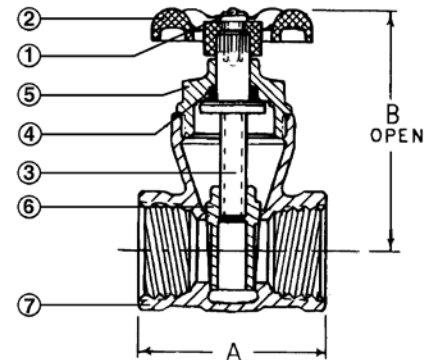
PART	SPECIFICATION
1. Handwheel Screw	Stainless Steel
2. Handle	a. Bronze Cross (T-29-K) b. Aluminum (T-29)
3. Stem	Copper ASTM B 99 Alloy C10200
4. Stem Seal	Rubber EPDM "O" Ring
5. Bonnet	Cast Copper-based Alloy C84400
6. Wedge	Cast Copper-based Alloy C84400
7. Body	Cast Copper-based Alloy C84400



T-29-K*
Threaded
with Cross Handle



T-29
Threaded



T-29-K
NPT x NPT

DIMENSIONS—WEIGHTS—QUANTITIES

Size	Dimensions				T-29-K		Master Ctn. Qty.	
	A		B		Lbs.	Kg.		
In.	mm.	In.	mm.	In.	mm.			
1/2	15	1.81	46	2.50	64	.48	.22	100
3/4	20	2.00	51	2.88	73	.67	.30	100
1	25	2.31	59	3.56	90	1.22	.55	50
1 1/4	32	2.63	67	3.69	94	1.54	.70	40
1 1/2	40	2.75	70	4.19	106	2.12	.96	20
2	50	2.88	73	4.88	124	3.29	1.49	20

Each valve individually tested in ISO 9002 certified facility.

* T-29-K only available in sizes 1" to 2"

Freezing Weather Precaution – Subsequent to testing a piping system, valves should be in an open position to allow complete drainage.