

PVC Compact Economy Ball Valve

150 psi at 73°F water–non-shock



Features

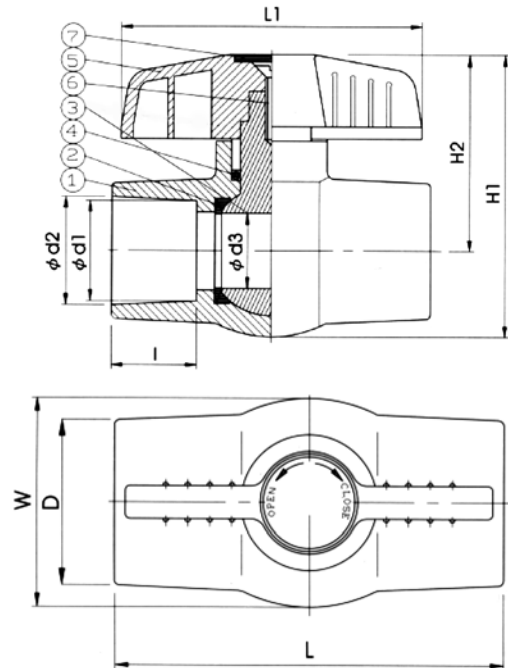
- For water distribution in industrial, residential, commercial and agricultural applications.
- Multiple industrial uses
- Durable one-piece molded body
- Excellent flow characteristics
- Socket and threaded end connections per ASTM D2467 for Schedule 80 PVC pipe fittings
- NPT threads per ASME B1.20.1
- Rated for 150 psi water service at 73°F and 50 psi service at 140°F
- Convenient 1/4 turn operation
- Meets NSF/ANSI 14 standard

Construction Materials

Part	Specification
1. Body	PVC
2. Seat Seal (2)	PTFE
3. Ball	PVC
4. O-Ring	EPDM, FKM
5. Handle	ABS
6. Bolt	Zinc-Plated Steel
7. Cap	ABS

Chemtrol Figure Numbers

Material	O-Rings	Ends	(1/2" - 2")
PVC	EPDM	Soc.	S45CE-E
PVC	EPDM	Thd.	T45CE-E
PVC	FKM	Soc.	S45CE-V
PVC	FKM	Thd.	T45CE-E



DIMENSIONS—WEIGHTS—QUANTITIES

Size		Thd./In. (NPT)	d1	d2	d3	D	L	L1	I	H1	H2	W	Weight/lbs.	Fluid Flow
In.	mm													Coefficient
1/2	15	14	0.84	0.85	0.55	1.18	3.27	2.76	0.87	2.44	1.69	1.50	0.18	8.84
3/4	20	14	1.05	1.06	0.79	1.50	3.74	3.46	1.00	3.07	2.13	1.93	0.18	—
1	25	11.5	1.31	1.32	0.98	1.77	4.17	3.94	1.12	3.66	2.56	2.24	0.49	25.24
1 1/4	32	11.5	1.65	1.67	1.18	2.13	4.48	3.94	1.25	3.86	2.64	2.48	0.64	38.53
1 1/2	40	11.5	1.89	1.91	1.42	2.44	5.12	4.29	1.38	4.53	3.07	2.95	0.94	51.28
2	50	11.5	2.39	2.39	1.83	3.03	5.79	5.28	1.50	5.31	3.50	3.62	1.50	96.67

Maximum Operating Pressure (psi) vs. Temperature

"Operating Temperature (F)"	PVC
100	150
110	135
120	110
130	75
140	50
150	N.R.

N.R. - Not recommended



WARNING: This product can expose you to chemicals including styrene, which is known to the State of California to cause cancer. For more information go to www.P65Warnings.ca.gov.