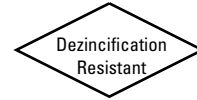


NIBCO® Press System® Bronze Angle Valves

Screw-in Bonnet • Integral Seat • Renewable Seat and Disc



200 PSI/13.8 Bar Non-Shock Cold Working Pressure
250°F Maximum Operating Temperature

CONFORMS TO MSS SP-80

MATERIAL LIST

PART	SPECIFICATION
1. Handwheel Nut	300 Series Stainless Steel
2. Identification Plate	Aluminum
3. Handwheel	Malleable Iron ASTM A 47
4. Stem	Silicon Bronze ASTM B 371 Alloy C69430
5. Pack Gland	Brass ASTM B 16 Alloy C36000
6. Pack Nut	Brass ASTM B 16 Alloy C36000
7. Packing	Aramid Fibers with Graphite
8. Bonnet	Bronze ASTM B 62 Alloy C83600
9. Disc Holder Nut	Bronze ASTM B 62 Alloy C83600
10. Disc Holder	Bronze ASTM B 62 Alloy C83600
11. Disc	PTFE
12. Disc Washer	304 Stainless Steel
13. Disc Nut	Silicon Bronze ASTM B 96 Alloy C65100
14. Body	Bronze ASTM B 62 Alloy C83600
15. Stub Out (2)	Type "L" Copper Tube



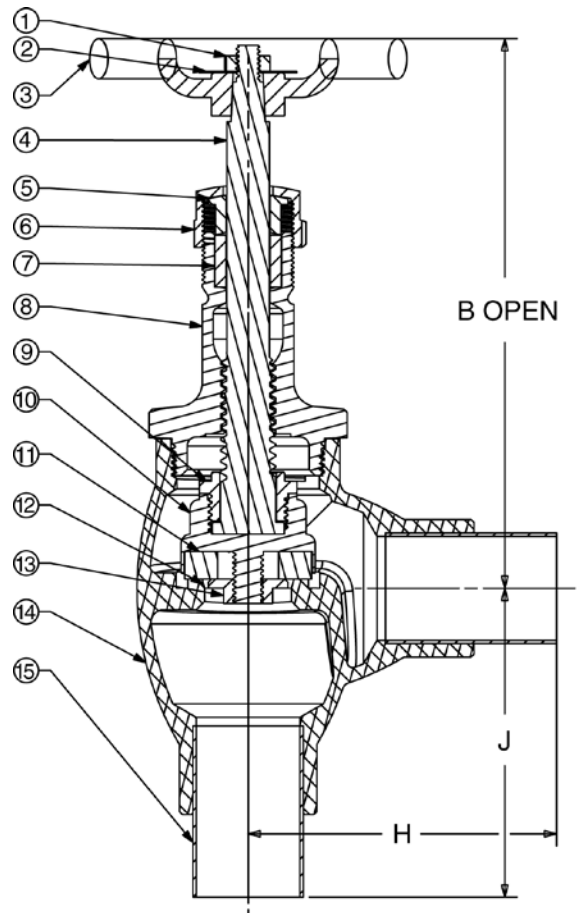
PS311-Y
Press x Press
Male End

DIMENSIONS—WEIGHTS

Size	Dimensions				Weight				
	In.	mm.	In.	mm.	In.	mm.	Lbs.	Kg.	
*1/2 †	15	3.50	89	3.38	86	3.38	86	1.08	.49
3/4	20	4.94	126	3.88	99	3.88	99	1.94	.88
1	25	5.75	146	4.35	110	4.35	110	3.12	1.42
1 1/4	32	6.13	156	4.47	114	4.47	114	4.23	1.92
1 1/2	40	7.25	179	4.84	123	4.84	123	5.31	2.41
2	50	8.13	206	5.50	140	5.50	140	9.74	4.42

† No packing gland, packing only in this size.

* Stem and Disc or Disc Holder are integral.



PS311-Y
P x P