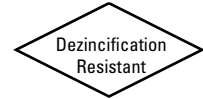


NIBCO® Press System Bronze Globe Valves

Screw-In Bonnet • Integral Seat • Renewable Seat and Disc

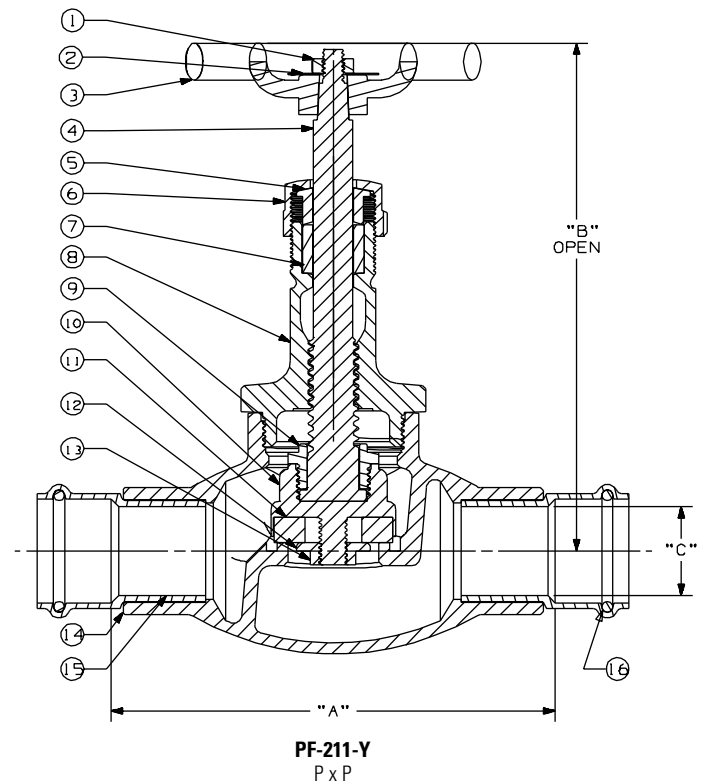
200 PSI/13.8 bar non-shock cold working pressure
250°F maximum operating temperature

CONFORMS TO MSS SP-80



PF-211-Y
Press x Press
Female End

MATERIAL LIST	
PART	SPECIFICATION
1. Handwheel Nut	300 Series Stainless Steel
2. Identification Plate	Aluminum
3. Handwheel	Malleable Iron ASTM A 47
4. Stem	Silicon Bronze ASTM B 371 Alloy C69430
5. Pack Gland	Brass ASTM B 16 Alloy C36000
6. Pack Nut	Brass ASTM B 16 Alloy C36000
7. Packing	Aramid Fibers with Graphite
8. Bonnet	Bronze ASTM B 62 Alloy C83600
9. Disc Holder Nut	Bronze ASTM B 62 Alloy C83600
10. Disc Holder	Bronze ASTM B 62 Alloy C83600
11. Disc	PTFE
12. Disc Washer	304 Stainless Steel
13. Disc Nut	Bronze ASTM B 98 Alloy C65100
14. Body Assembly	Bronze ASTM B62 Alloy C83600
15. Female Adapter (2)	Bronze ASTM B 61 Alloy C92200
16. O-Ring (2)	EPDM



DIMENSIONS—WEIGHTS

Size	Dimensions						Weight		
	A		B		C		Lbs.	Kg.	
In.	mm.	In.	mm.	In.	mm.	In.	mm.		
*1/2†	15	2.91	74	3.38	86	.50	13	1.07	.48
3/4	20	3.99	101	4.88	124	.75	19	2.04	.93
1	25	4.88	124	5.69	145	1.00	25	3.13	1.42
1 1/4	32	5.23	133	6.13	156	1.25	32	4.00	1.82
1 1/2	40	6.01	153	7.38	187	1.50	38	6.44	2.93
2	50	7.41	188	7.94	202	2.00	51	10.16	4.62

† No packing gland, packing only in this size.

* Stem and disc (or disc holder) are integral.

NIBCO Press System globe valves are designed to meet MSS SP-80 with the exception of the end connection. Male and female press-to-connect ends are new technology not yet covered in the current edition of this specification.

WARNING: This product can expose you to chemicals including lead, which is known to the State of California to cause cancer and birth defects or other reproductive harm. For more information go to www.P65Warnings.ca.gov.

Visit our website for the most current information.