

# NIBCO® Press System Bronze Ball Valves

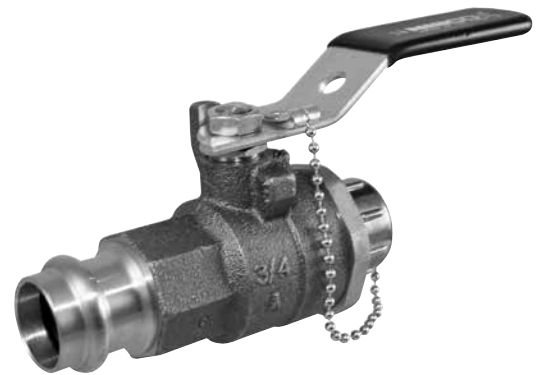
Two-Piece Body • Full Port • Bronze Trim • Blowout-Proof Stem •  
3/4" Hose Connection w/Cap and Chain • Press Ends Leak Detection

**250 PSI/17.2 bar non-shock cold working pressure**  
**250°F maximum operating temperature**

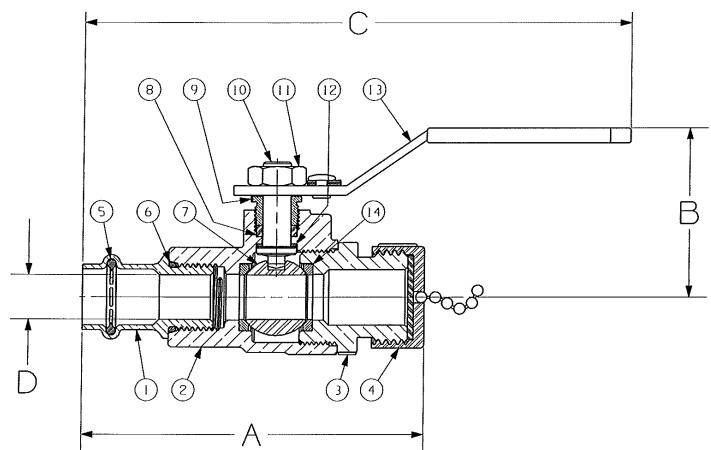
CONFORMS TO MSS SP-110

## MATERIAL LIST

PART	SPECIFICATION
1. Press End Adapter	Wrot Copper ASTM B75 Alloy C12200
2. Body	Bronze ASTM B584 Alloy C84400
3. Hose Body End	Brass ASTM B124 Alloy C37700
4. Cap	Die Cast Brass
5. O-Ring	EPDM
6. Boss seal o-ring	EPDM
7. Ball	Brass ASTM B16 Alloy C36000 or ASTM B283 Alloy C37700 (Chrome/Nickel Plated)
8. Packing	PTFE
9. Pack Gland	Brass ASTM B16 Alloy C36000
10. Stem	Silicon Bronze ASTM B371 Alloy C69300 or ASTM B371 Alloy C69430
11. Handle Nut	Zinc Plated Steel
12. Thrust Washer	Reinforced PTFE
13. Handle Assembly	Zinc Plated Steel Clear Chromate Plastisol Coated
14. Seat Ring (2)	Reinforced PTFE



**PC-585-70-HC**  
Press Female x Hose End



**PC-585-70-HC**  
P x Hose

### Handle Options:

- Stainless steel lever
- NIB-Seal®
- Locking lever
- Stainless steel locking lever
- Memory stop
- Extended lever w/ memory stop
- Round
- Wing
- Horizontal and vertical chain

## DIMENSIONS—WEIGHTS

SIZE	Dimensions								Weight	
	A		B		C		D		Lbs.	Kg.
In. mm.	In. mm.	In. mm.	In. mm.	In. mm.	In. mm.	In. mm.	In. mm.	Lbs.	Kg.	
1/2" 13	3.06 78	1.88 48	6.09 155	.50 13	.92	.42				
3/4" 19	4.47 114	2.25 57	7.36 187	.75 19	1.70	.77				

NIBCO Press System ball valves are designed to meet MSS SP-110 with the exception of the end connection. Ball valves are down-rated from 600 PSI CWP to 250 PSI CWP to match the NIBCO Press System. Male and female press-to-connect ends are new technology not yet covered in the current edition of this specification.

**WARNING:** This product can expose you to chemicals including lead, which is known to the State of California to cause cancer and birth defects or other reproductive harm. For more information go to [www.P65Warnings.ca.gov](http://www.P65Warnings.ca.gov).

Visit our website for the most current information.