

Lead-Free Bronze Check Valves

Features: Silicon Performance Bronze® Alloy • Horizontal Swing • Regrinding Type • Y-Pattern • Renewable Seat and Disc • Press Ends

Approvals: Conforms to MSS SP-139 • NSF/ANSI-61-8 Commercial Hot 180°F (includes annex F and G) and NSF/ANSI-372

Size range: 1/2" - 2"

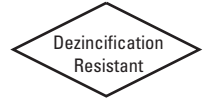
Pressure rating: 200 PSI non-shock cold working pressure

Maximum pressure / temperature: 100 PSI at 250° F

Lead-free marking: Double oval in body casting



NSF/ANSI 61
NSF/ANSI 372

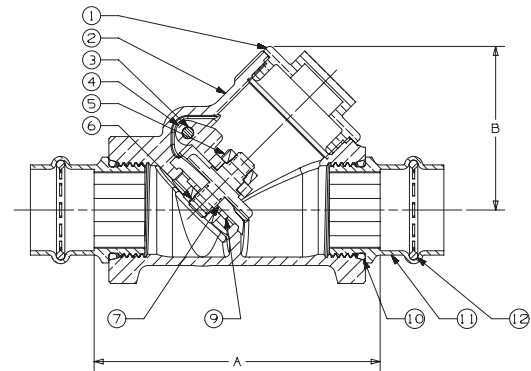


PC-413-Y-LF
Press Ends

MATERIAL LIST

PART	SPECIFICATION
1. Bonnet	Silicon Bronze ASTM B584 Alloy C87850
2. Body	Silicon Bronze ASTM B584 Alloy C87850
3. Hinge Pin	ASTM A276 Alloy S31600 or ASTM A276 Alloy S30400
4. Disc Hanger	Silicon Bronze ASTM B584 Alloy C87850
5. Stainless Steel Nut (2)	ASTM F594 Alloy S31600 or ASTM F594 Alloy S30400
6. Disc Holder	Silicon Bronze ASTM B371 Alloy C69300
7. Seat Disc	PTFE
8. Hinge Pin Plug	ASTM B371 Alloy C69300
9. Disc Washer *	304 Stainless Steel
10. O-Ring	EPDM
11. Press End Adapter	ASTM B75 Alloy C12200
12. Crimp Evident Seal O-Ring	EPDM

* Sizes 3/4", 1", 1 1/4", 1 1/2" and 2" only



PC-413-Y-LF
Press x Press

DIMENSIONS—WEIGHTS

SIZE	Dimensions				Master Ctn Qty	Weight	
	A (Lay Length)		B (Height)			Lbs.	Kg.
1/2	15	2.78	71	1.66	42	0.72	0.33
3/4	20	3.25	83	1.90	48	1.13	0.51
1	25	3.97	101	2.27	25	1.80	0.82
1-1/4	32	4.64	118	2.67	20	2.42	1.10
1-1/2	40	5.00	127	3.09	16	3.75	1.70
2	50	5.85	149	3.84	4	5.51	2.50

NIBCO check valves may be installed in both horizontal and vertical lines with upward flow or in any intermediate position. They will operate satisfactorily in a declining plane (no more than 15°). Install check valves as far from pump discharge or line direction change as possible and at a minimum length of 5 times the pipe diameter.

Do not use for reciprocating air compressor service.

WARNING: This product can expose you to chemicals including lead, which is known to the State of California to cause cancer and birth defects or other reproductive harm. For more information go to www.P65Warnings.ca.gov.

LEAD-FREE: Weighted average lead content ≤ 0.25%