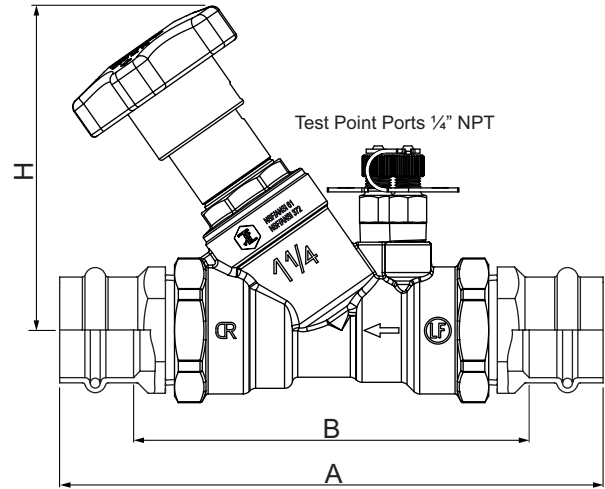


PC-1810 DZR Brass Fixed Orifice Circuit Balancing Valve - Press Ends - 1/2" to 2"

Dezincification
Resistant

DIMENSIONS - In.						
Size	Cv - Full Open	Cvs	A	B	H	Weight Lbs.
1/2" - U	0.605	0.64	5.62	4.24	4.06	1.37
1/2" - L	0.985	1.33	5.62	4.24	4.06	1.37
1/2"	2.22	3.24	5.62	4.24	4.06	1.42
3/4"	4.24	6.16	6.66	4.90	4.06	1.82
1"	7.21	11.24	6.77	5.02	4.06	2.27
1 1/4"	14.50	23.41	8.31	6.31	4.85	3.71
1 1/2"	22.65	34.95	9.60	6.84	4.94	4.89
2"	34.36	63.67	10.42	7.42	5.34	6.65

MATERIAL LIST	
PART	SPECIFICATION
Body	Brass - UNS C35330 (DZR)
Venturi Insert	Brass - UNS C35330 (DZR)
Balancing Cone	Brass - UNS C35330 (DZR)
Gasket Disk	PTFE
Disk	Brass - UNS C35330 (DZR)
O-ring	EPDM
Disk stem	Brass - UNS C35330 (DZR)
Union	Brass - UNS C35330 (DZR)
Stem	Brass - ASTM B124 C37700
Bonnet	Brass - UNS C35330 (DZR)
Indicator Housing	ABS Black Color
Scale	Acetal Resin
Handwheel	ABS Black Color
Test Point (2)	Brass - UNS C35330 (DZR)
Press End	Copper - ASTM B75 C12200



200 PSI Non-Shock Cold Working Pressure
Maximum Temperature 250°F @ 150 PSI

Flow Measurement Accuracy ±3%

Accessories



PT Test Point Extension

RECOMMENDED FLOW RANGE		
Size - In.	Flow Range - gpm	
	Min	Max
1/2" - U	0.24	1.0
1/2" - L	0.52	2.0
1/2"	1.2	5.0
3/4"	2.4	10
1"	4.3	18
1 1/4"	9.0	33
1 1/2"	12	49
2"	24	78

Project: _____

Contractor: _____

PO/Job No.: _____

Engineer: _____

Representative: _____

Date: _____