

285 PSI Butterfly Valves

Ductile Iron Body • Extended Neck • Geometric Drive • Molded-In Seat Liner
 • Lug and Wafer Style (not intended for air lines)

Sizes 2" through 12"

Install between Std. ASME Class 125/150 flanges.
 285 PSI Bi-directional dead end service with no need
 for a downstream flange.

THIRD PARTY CERTIFIED BY QAI TO MEET MSS SP-67 STANDARD •
 U.S. COAST GUARD "CATEGORY A" • CERTIFIED LEAD-FREE* BY
 TRUESDAIL LABS TO NSF/ANSI 61 AND 372



WD-5022
 Wafer Style
 EPDM Liner
 and Stainless
 Steel Disc



LD-5022
 Lug Style
 EPDM Liner
 and Stainless
 Steel Disc

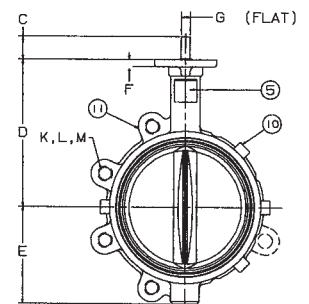
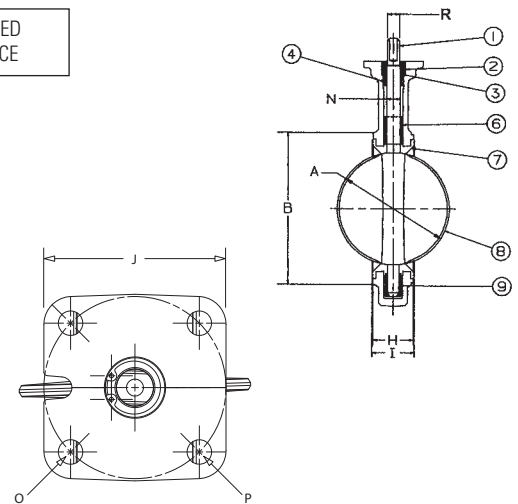
MATERIAL LIST

PART	SPECIFICATION
1. Stem	Stainless Steel ASTM A582 Type 416
2. Collar Bushing	Stainless Steel ASTM A236 Type 316
3. Stem Seal	EPDM Rubber
4. Body Seal	EPDM Rubber
5. Nameplate	Aluminum
6. Upper Bushing	Stainless Steel ASTM A276 Type 316
7. Liner	EPDM Rubber
8. Disc	Stainless Steel ASTM 743 Grade CF8M
9. Lower Bushing	Stainless Steel ASTM A276 Type 316
10. Body Wafer	Ductile Iron ASTM A536
11. Body Lug	Ductile Iron ASTM A536

NOT RECOMMENDED
 FOR STEAM SERVICE

DIMENSIONS — WEIGHTS

Size	Metal			Rubber			J		N		
In. mm.	A	B	C	D	E	F	Flat	H	Square	Dia.	
2 50	2.53	4.00	1.25	5.38	2.88	.38	.312	1.688	1.812	3.25	.500
2 1/2 65	2.90	4.69	1.25	5.88	3.27	.38	.370	1.812	1.938	3.25	.562
3 80	3.15	5.12	1.25	6.12	3.40	.38	.370	1.812	1.938	3.25	.562
4 100	4.09	6.12	1.25	6.88	4.00	.38	.403	2.062	2.188	3.25	.625
5 125	5.13	7.25	1.25	7.38	4.75	.38	.496	2.188	2.312	3.25	.750
6 150	6.13	8.25	1.25	8.00	5.29	.38	.496	2.188	2.312	3.25	.750
8 200	8.13	10.41	1.25	9.25	6.50	.50	.560	2.375	2.500	3.25	.875
10 250	10.13	12.52	1.25	10.50	8.00	.50	.686	2.688	2.812	4.75	1.125
12 300	12.13	15.00	1.25	12.00	9.25	.50	.748	3.000	3.125	4.75	1.250



Size	O	P	R	Capscrew/Stud Data			Lug Length	M	Lug Weight		Wafer Weight	
				K	L	Wafer Length			B.C.	Lbs.	Kg.	Lbs.
In. mm.	B.C.	Dia.	Dia.	No.	Dia.		B.C.					
2 50	3.25	.437	.437	4	5/8-11unc	Refer to BFV Technical Information for bolt lengths		7	3.2	5.5	2.5	
2 1/2 65	3.25	.437	.500	4	5/8-11unc		9	4.1	7.5	3.4		
3 80	3.25	.437	.500	4	5/8-11unc		9.5	4.3	8	3.6		
4 100	3.25	.437	.562	8	5/8-11unc		15	6.8	11	5.0		
5 125	3.25	.437	.656	8	3/4-10unc		21	9.5	15	6.8		
6 150	3.25	.437	.656	8	3/4-10unc		24	10.9	18	8.2		
8 200	3.25	.437	.781	8	3/4-10unc		34	15.4	28	12.7		
10 250	5.00	.562	1.000	12	7/8-9unc		62	28.1	45.5	20.7		
12 300	5.00	.562	1.062	12	7/8-9unc		90	40.9	70	31.8		

WARNING: This product can expose you to chemicals including lead, which is known to the State of California to cause cancer and birth defects or other reproductive harm. For more information go to www.P65Warnings.ca.gov.

*Weighted average lead content ≤ 0.25%

Visit our website for the most current information.