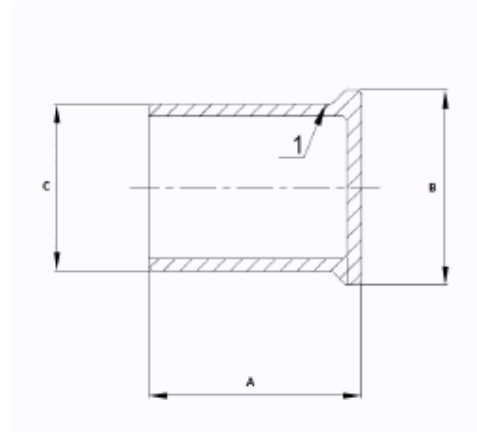




## H-x660 Pro-Connect Press Port Plug

H-8660W Series  
Press Port Plug



NO.	DESCRIPTION	MATERIAL
1	Body	Lead-Free DZR Brass

	Size (in)	Item#	Max Temp	Pressure Rating	Case Qty	A	B	C
FTG	3/4"	H-86603W	250°F Max	250 PSI CWP	120	1.13	1.02	0.88
	1"	H-86604W	250°F Max	250 PSI CWP	120	1.13	1.27	1.13

Specifications: Designed for use with water, oil, glycol mix in residential or commercial plumbing and heating systems.

