



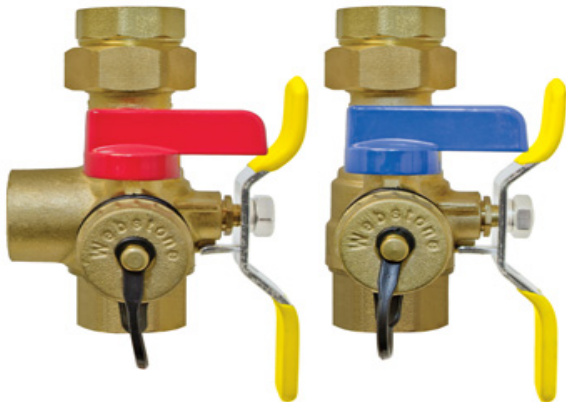
H-x444W Series

The Isolator E-X-P E2 Tankless Water Heater Service Valve Kit
 Hot & Cold Set of Full Port Forged Brass Ball Valves
 w/ Hi-Flow Hose Drains,
 Pressure Relief Valve Outlet & Adjustable Packing Glands
 Lead Free
 Certified to NSF/ANSI 61 & 372

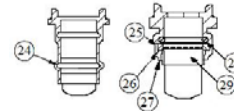
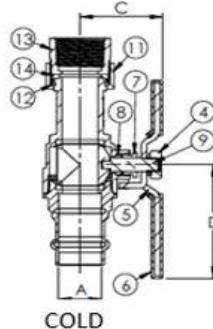
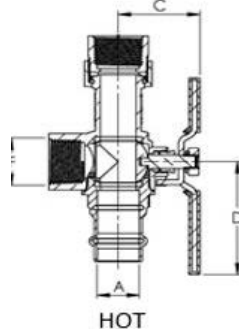
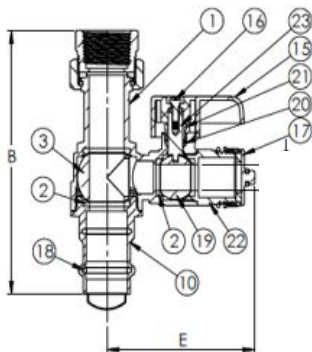


Patented Technology

ITEM#	Connection Type	pressure rating	SIZE (in)	Metric Pipe Size	CTN	CASE	A	B	C	D	E	F
1	H-44443W FIP Union x FIP	500 CWP	3/4	3/4	1	10	0.95	4.25	2.00	2.54	3.11	3/4 NPT
1	H-44444 FIP Union x FIP	500 CWP	1	1	1	10	1.00	5.00	2.38	2.54	3.11	3/4 NPT
1	H-44444W FIP Union x FIP	500 CWP	1	1	1	10	1.00	5.00	2.38	2.54	3.11	3/4 NPT
1	H-54443W FIP Union x SWT	500 CWP	3/4	3/4	1	10	0.88	4.75	2.00	2.54	3.11	3/4 NPT
1	H-54444W FIP Union x SWT	500 CWP	1	1	1	10	1.00	5.13	2.38	2.54	3.11	3/4 NPT
4	H-64443W FIP Union x Push	200 CWP	3/4	3/4	1	10	0.88	4.83	2.00	2.54	3.11	3/4 NPT
2	H-84443W FIP Union x Press	250 CWP	3/4	3/4	1	10	0.75	5.25	2.00	2.54	3.11	3/4 NPT
2	H-84444W FIP Union x Press	250 CWP	1	1	1	10	1.00	5.75	2.38	2.54	3.11	3/4 NPT
3	H-14443W FIP Union x ASTM F1807 PEX	400 CWP	3/4	3/4	1	10	0.55	4.53	2.00	2.54	3.11	3/4 NPT
3	H-14444W FIP Union x ASTM F1807 PEX	400 CWP	1	1	1	10	0.71	4.58	2.00	2.54	3.11	3/4 NPT
3	H-34443W FIP Union x ASTM F1960 PEX	400 CWP	3/4	3/4	1	10	0.61	4.84	2.00	2.54	3.11	3/4 NPT
3	H-34444W FIP Union x ASTM F1960 PEX	400 CWP	1	1	1	10	0.83	4.89	2.00	2.54	3.11	3/4 NPT



NO.	DESCRIPTION	MATERIAL
1	Body	Brass
2	Seats	PTFE
3	Ball	Brass HCP
4	Handle Nut	Stainless Steel
5	Wing Style "T" Handle	Steel CP
6	Handle Jacket	Vinyl
7	Packing Gland	Brass
8	Stem Seal	PTFE
9	Stem	Brass
10	End Cap	Brass
11	Union Nut	Brass
12	Retaining Ring	Stainless Steel
13	Union Fitting	Brass
14	Washer	EPDM
15	Drain Valve Handle	Enamel Coated Aluminum
16	Drain Valve Handle Screw	Brass
17	Cap & Strap	Brass w/ EPDM Washer & Strap
18	O-Ring	EPDM
19	Ball	Brass
20	Stem Seal	PTFE
21	Packing Gland	Brass
22	End Cap	Brass
23	Stem	Brass
24	Press O-Ring	EPDM
25	Grip Ring Retainer	Plastic
26	Grip Ring	Stainless Steel
27	Release Ring Retainer	Plastic
28	O-Ring	EPDM
29	Release Ring	Plastic



Designed for residential or commercial use with potable water. This approved Webstone valve is actuated by a blowout proof stem and features an adjustable packing gland. Threaded ends comply with ANSI B1.20.1.

- 1-Lead content > 0.25%, not certified for potable water.
- 2-250° F Max
- 3-Certified to NSF/ANSI 14 & IAPMO ANSI Z1157
- 4-Certified to NSF/ANSI 14 & ASSE 1061





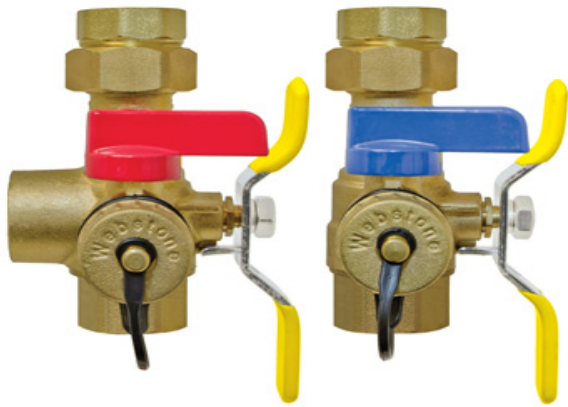
4444 Series

The Isolator E-X-P E2 Tankless Water Heater Service Valve Kit
 Hot & Cold Set of Full Port Forged Brass Ball Valves
 w/ Hi-Flow Hose Drains,
 Pressure Relief Valve Outlet & Adjustable Packing Glands

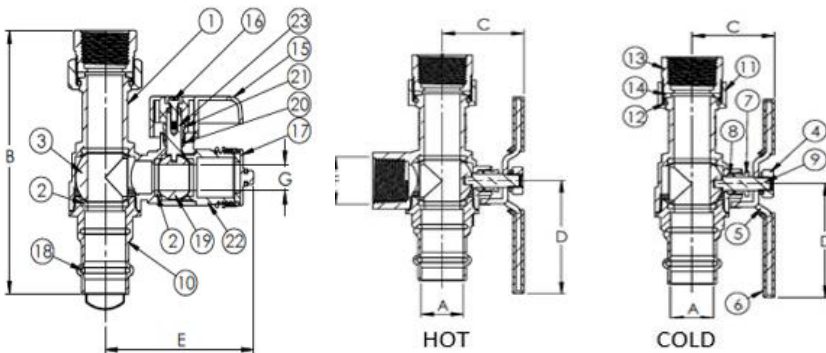


Patented Technology

ITEM#	Connection Type	pressure rating	SIZE (in)	Metric Pipe Size	CTN	CASE	A	B	C	D	E	F
H-44444	FIP Union x FIP	500 CWP	1	1	1	10	1.00	5.00	2.38	2.54	3.11	3/4 NPT



NO.	DESCRIPTION	MATERIAL
1	Body	Brass
2	Seats	PTFE
3	Ball	Brass HCP
4	Handle Nut	Stainless Steel
5	Wing Style "T" Handle	Steel CP
6	Handle Jacket	Vinyl
7	Packing Gland	Brass
8	Stem Seal	PTFE
9	Stem	Brass
10	End Cap	Brass
11	Union Nut	Brass
12	Retaining Ring	Stainless Steel
13	Union Fitting	Brass
14	Washer	EPDM
15	Drain Valve Handle	Enamel Coated Aluminum
16	Drain Valve Handle Screw	Brass
17	Cap & Strap	Brass w/ EPDM Washer & Strap
18	O-Ring	EPDM
19	Ball	Brass
20	Stem Seal	PTFE
21	Packing Gland	Brass
22	End Cap	Brass
23	Stem	Brass



Designed for residential or commercial use with potable water. This approved Webstone valve is actuated by a blowout proof stem and features an adjustable packing gland. Threaded ends comply with ANSI B1.20.1.