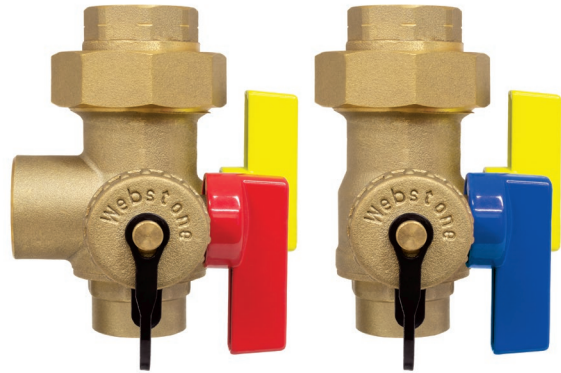


H-x244W Series

E-X-P Ultra-Compact Tankless Water Heater Service Valve Kit
 Hot & Cold Set of Full Port Forged DZR Brass Ball Valves
 w/ 3/4" Hose Drains
 & Pressure Relief Valve Outlet

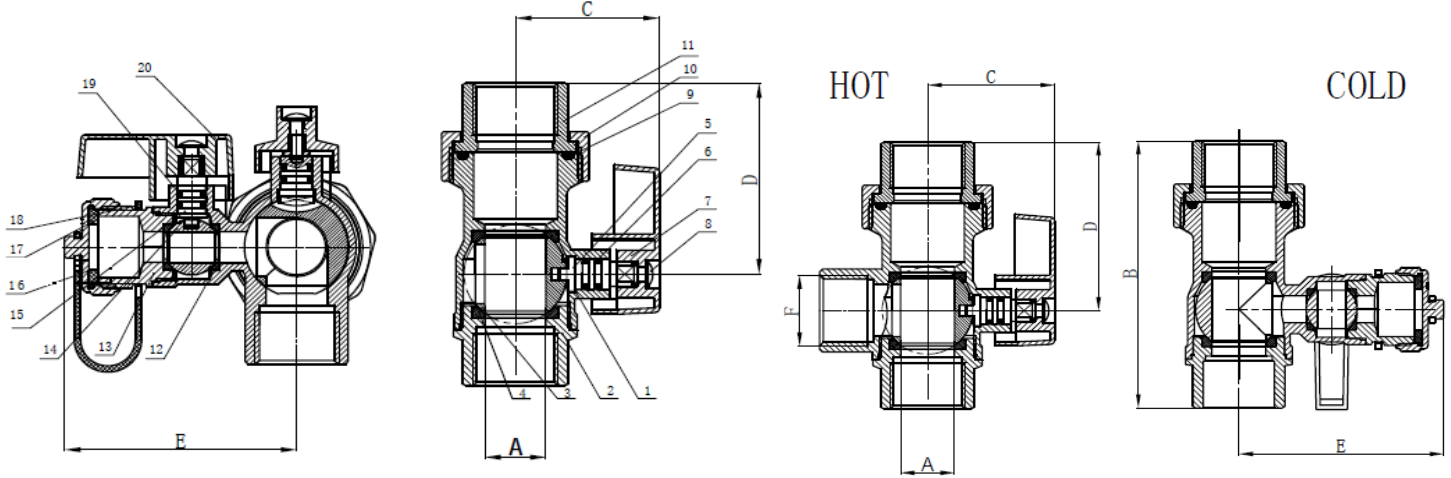
Certifications

Certified to NSF/ANSI 61 & 372
 Lead-Free



TWH SERVICE VALVES
E·X·P
 ULTRA-COMPACT | PATENTED TECHNOLOGY

NO.	DESCRIPTION	MATERIAL
1	Body	Lead Free DZR Brass
2	End Cap	Lead Free DZR Brass
3	Ball	Brass HCP
4	Ball Seat	PTFE
5	Stem	Brass
6	O-Ring	EPDM
7	Lever Handle	Aluminum
8	Screw	Steel
9	O-Ring	EPDM
10	Union Nut	Brass
11	Adaptor	Lead Free DZR Brass
12	Ball Seat	PTFE
13	Cap	Lead Free DZR Brass
14	Ball	Brass HCP
15	Stem	Brass
16	Cap	Brass
17	Gasket	EPDM
18	Strap	PVC
19	O-Ring	EPDM
20	Lever Handle	Aluminum



Designed for residential or commercial use with potable water. This approved Webstone valve is actuated by a blowout proof stem and features a maintenance free double seal o-ring. Threaded ends comply with ANSI B1.20.1.

ITEM#	Connection Type	SIZE (in)	Pressure Rating	Max Temp	A	B	C	D	E	F
H-42443W	FIP Union × FIP	3/4	250 PSI CWP Max	200°F Max	0.75	3.87	1.76	2.44	2.84	3/4 NPT
H-52443W	FIP Union × SWT	3/4	250 PSI CWP Max	200°F Max	0.75	3.87	1.76	2.44	2.84	3/4 NPT



WARNING: Cancer and Reproductive Harm. www.P65Warnings.ca.gov

H-x244W_Spec.xlsmpec_3/4/2020