

Specifications: Designed for use with water, oil, glycol mix in residential or commercial plumbing and heating systems.



H-x170XLC - Pro-Connect Press - XLC Valves

H-8170W_XLC Series

Full Port Forged Brass Ball Valve

w/ Adjustable Packing Gland

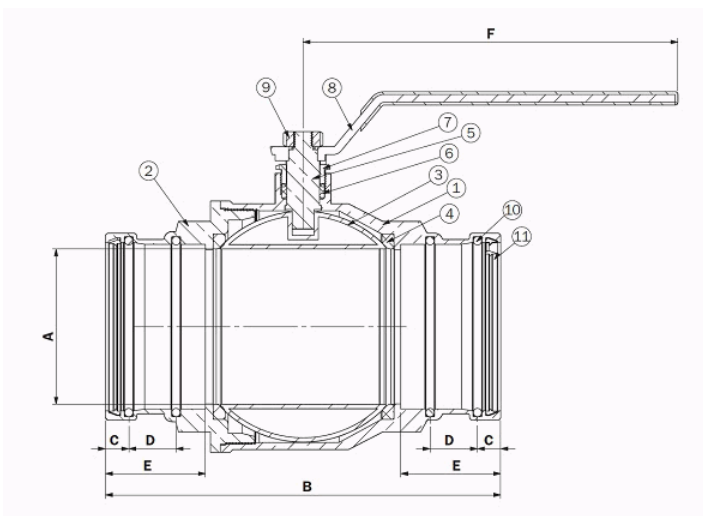
Certifications

Certified to NSF/ANSI 61 & 372



NO.	DESCRIPTION	MATERIAL
1	Body	ASTM B171/B171M C46500
2	Cap	ASTM B171/B171M C46500
3	Ball	ASTM A480/A480M S.S. 304
4	Seat	PTFE
5	Stem	ASTM A480/A480M S.S. 304
6	Packing	PTFE
7	Packing Gland	HPb58-3 Brass
8	Handle	ASTM A283 Q235 Steel CP
9	Hex Nut	ASTM A480/A480M S.S. 304
10	O-Ring	EPDM
11	Grip Ring	ASTM 1566 65Mn Steel CP

Size (in)	Item#	Weight (lbs)	CTN Qty	Case Qty	A	B	C	D	E	F		
Press											250 PSI CWP Max	250°F Max
2 1/2"	H-81708W	7.70	1	1	1.50	5.88	0.50	0.88	1.88	5.13		
3"	H-81709W	11.44	1	1	2.00	7.00	0.63	1.00	2.13	6.31		
4"	H-81710W	19.58	1	1	2.50	7.00	0.63	0.88	1.88	9.44		



Specifications: Designed for use with water, oil, glycol mix in residential or commercial plumbing and heating systems.

