



## H-x166-VR - Pro-Pal Dielectric Water Heater Supply Valves w/ Vacuum Relief Valve

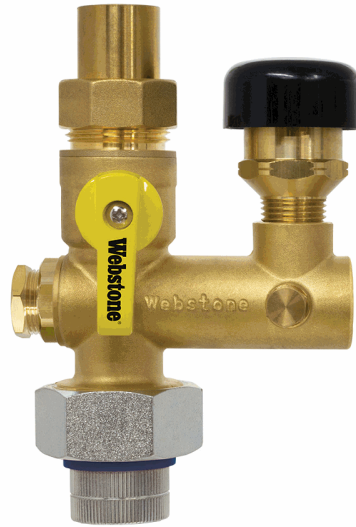
### H-x166W-VR Series

#### Pro-Pal Dielectric Water Heater Supply Valve

Full Port DZR Brass Ball Valve  
w/ Dielectric Union End  
1/2" FIP Vacuum Relief Valve Port  
(2) Plugged FIP Ports (1/2" & 1/8")  
Includes Vacuum Relief Valve

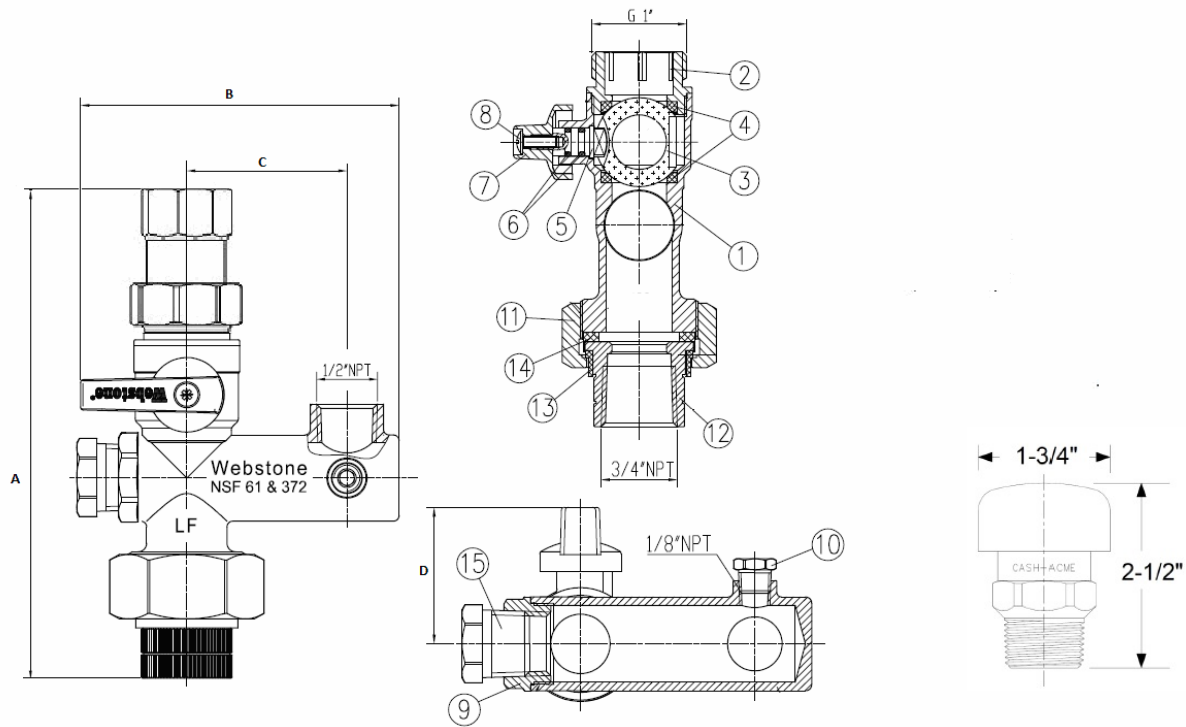
#### Certifications

Certified to NSF/ANSI 61 & 372



Size (in)	Item#	Weight (lbs)	CTN Qty	Case Qty	A	B	C	D		
<b>FIP Union x FIP</b>									<b>150 PSI CWP Max</b>	<b>180°F Max</b>
3/4" x 1/2"	H-41662W-VR	2.00	1	16	6.96	4.37	2.20	1.72		
3/4"	H-41663W-VR	2.42	1	16	6.96	4.37	2.20	1.72		
<b>FIP Union x MIP</b>									<b>150 PSI CWP Max</b>	<b>180°F Max</b>
3/4" x 1/2"	H-21662W-VR	2.00	1	16	6.82	4.37	2.20	1.72		
3/4"	H-21663W-VR	2.31	1	16	6.82	4.37	2.20	1.72		
<b>FIP Union x Press</b>									<b>150 PSI CWP Max</b>	<b>180°F Max</b>
3/4" x 1/2"	H-81662W-VR	2.03	1	16	7.72	4.37	2.20	1.72		
3/4"	H-81663W-VR	2.40	1	16	7.72	4.37	2.20	1.72		
<b>FIP Union x Push</b>									<b>150 PSI CWP Max</b>	<b>180°F Max</b>
3/4" x 1/2"	H-61662W-VR	2.06	1	16	7.27	4.37	2.20	1.72		
3/4"	H-61663W-VR	2.42	1	16	7.27	4.37	2.20	1.72		
<b>FIP Union x SWT</b>									<b>150 PSI CWP Max</b>	<b>180°F Max</b>
3/4" x 1/2"	H-51662W-VR	2.00	1	16	6.92	4.37	2.20	1.72		
3/4"	H-51663W-VR	2.32	1	16	6.92	4.37	2.20	1.72		





NO.	DESCRIPTION	MATERIAL
1	Body	Lead-Free DZR Brass
2	Cap	Lead-Free DZR Brass
3	Ball	Stainless Steel
4	Seat	PTFE
5	Stem	Lead-Free DZR Brass
6	O-ring	EPDM
7	Handle	Aluminum
8	Screw	Stainless Steel
9	Cap	Lead-Free DZR Brass
10	Plug	Lead-Free DZR Brass
11	Union Nut	Zinc Plated Steel
12	FIP Fitting	Zinc Plated Steel
13	Insulator Ring	PSU
14	Gasket	EPDM
15	Plug	Lead-Free DZR Brass

## CASH ACME VR-801

### SPECIFICATION DATA

#### Performance:

Relief pressure (open) .....	1" Hg vacuum
Capacity .....	13 SCFM (@ 2" Hg)
Maximum temperature .....	210° F
Maximum inlet pressure .....	200 psi
Service .....	Water

#### Materials:

Body .....	Brass
Body Cap .....	Brass
Internal Parts .....	Brass
Seat Disc .....	Silicone
Spring .....	Stainless steel
Dust Cover .....	Polypropylene

Specifications: Designed for use with water in residential or commercial plumbing systems. Threaded (NPT) ends comply with ANSI B1.20.1. Solder joint temperature ratings are per ASME B16.18 Annex A for 95-5 solder. Do not silver braze or overheat valves when soldering. EPDM o-rings for press ends.

REV:8/7/2023

LEAD-FREE: Weighted average lead content ≤ 0.25%

WWW.WEBSTONEVALVES.COM



WARNING: Cancer and Reproductive Harm - www.P65Warnings.ca.gov