

THIS SPACE FOR DESIGNER/ENGINEER APPROVAL

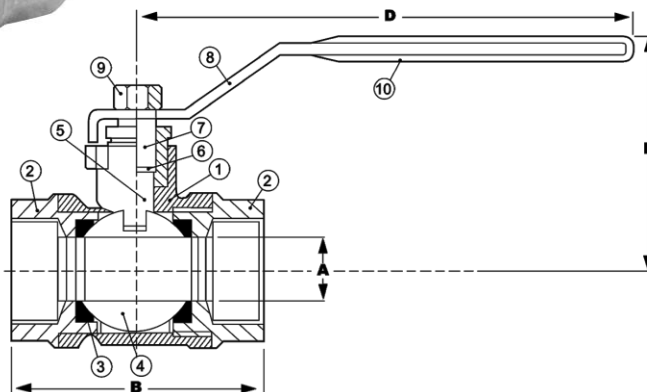
Job/Customer _____	Date _____	Contractor _____
Model Specified _____	Qty _____	Approved By _____
Designer/Engineer _____	Date _____	Contractor's PO# _____
Submitted By _____	Date _____	Other _____

4080W Series
Full Port Nickel Plated Forged Brass Ball Valves
w/ 304 Stainless Steel Lever Handle
& Adjustable Packing Gland
IPS
600 WOG / 150 WSP - ISO 9001

Lead free products are certified to
 NSF/ANSI 61-G



ITEM #	SIZE	CTN	CASE	A	B	C	D	Cv
40800W	1/4"	20	120	1/4	1 13/16	1 3/4	3 5/8	7.7
40801W	3/8"	20	120	3/8	1 11/16	1 15/16	3 3/4	7.9
40802W	1/2"	20	120	1/2	2 1/8	1 15/16	3 1/2	10.8
40803W	3/4"	14	84	3/4	2 3/8	2 1/4	3 3/4	27.0
40804W	1"	8	48	1	2 3/4	2 5/8	4 13/16	49.3
40805W	1 1/4"	6	36	1 1/4	3 1/4	2 13/16	4 9/16	114.0
40806W	1 1/2"	4	24	1 1/2	3 15/16	3 5/16	5 15/16	161.3
40807W	2"	2	16	2	4 1/4	3 1/2	5 15/16	248.6



NO.	DESCRIPTION	MATERIAL
1	BODY	NICKEL PLATED BRASS
2	END CAP	NICKEL PLATED BRASS
3	SEAT	PTFE
4	BALL	BRASS HCP
5	STEM	BRASS
6	STEM SEAL	PTFE
7	PACKING GLAND	BRASS
8	HANDLE	STAINLESS STEEL
9	HANDLE NUT	STAINLESS STEEL
10	HANDLE JACKET	VINYL

TEMP °F	PSI
100	600
150	490
200	470
250	439
300	411
350	294
366	N/A

Specifications: Designed for residential, commercial or industrial use with water, oil or gas. Nickel plated body helps to fight corrosion and maintain a bright finish. This approved Webstone valve is actuated by a blowout proof stem and features an adjustable packing gland. Threaded ends comply with ANSI B1.20.

VALVE INNOVATION

www.webstonevalves.com · P: (800) 225-9529 · F: (800) 336-5133

Webstone product specifications in U.S. customary units are approximate and are provided for reference only. Webstone reserves the right to change or modify product design, construction, specifications or materials without prior notice and without incurring any obligation to make such changes and modifications on Webstone products previously or subsequently sold.

4080-4080WSpec_111312