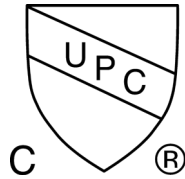


H-x042W-RB Series

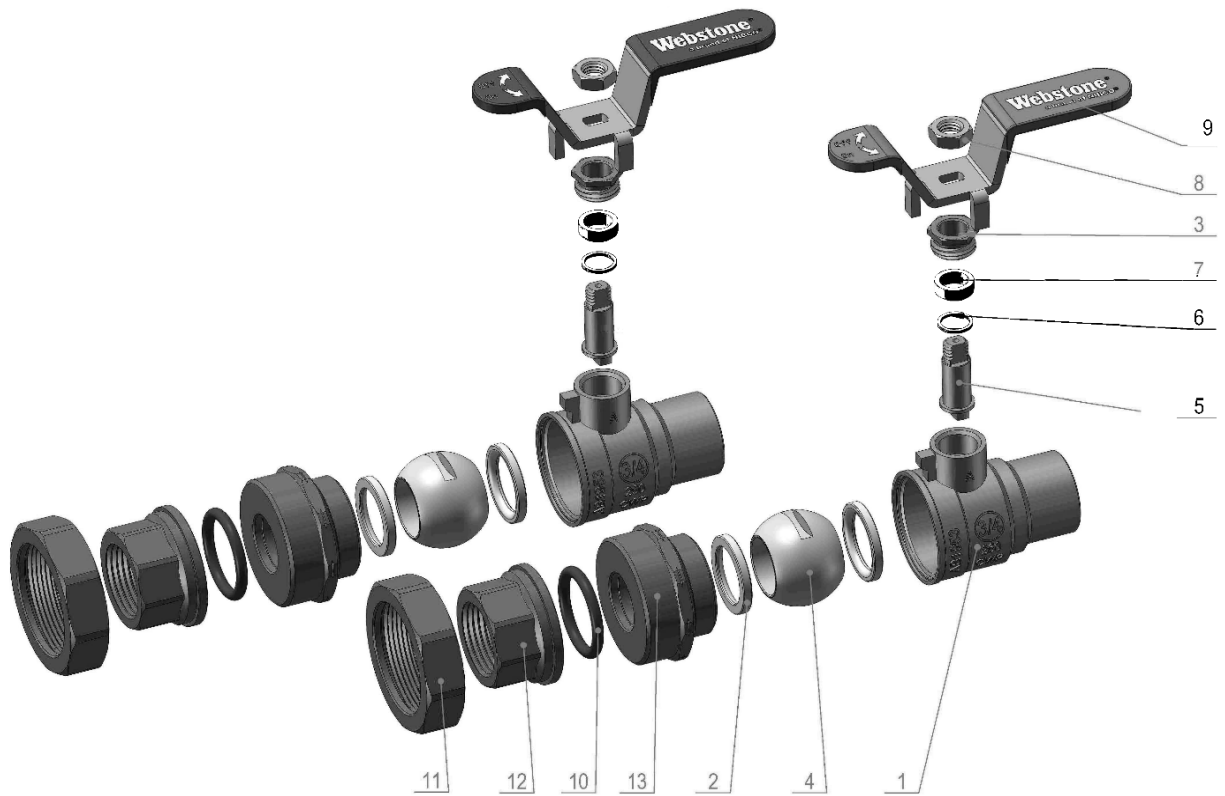
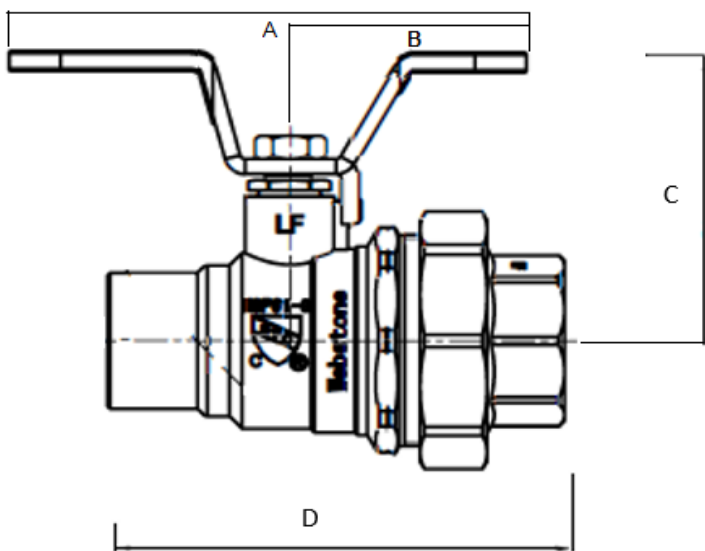
E-X-P Union Ball Tankless Water Heater Service Valve Kit
Hot & Cold Set of Full Port Forged DZR Brass Ball Valves
w/ Union Ends
& Adjustable Packing Glands

Certifications

Certified to NSF/ANSI 61 & 372
Lead-Free



NO.	DESCRIPTION	MATERIAL
1	Body	Lead Free DZR Brass
2	Seat	PTFE
3	Packing Gland	Brass
4	Ball	Brass HCP
5	Stem	Brass
6	Thrust Washer	PTFE
7	Packing	PTFE
8	Handle Nut	Stainless Steel
9	Handle	Steel CP
10	O-Ring	EPDM
11	Union Nut	Brass
12	Union Fitting	Lead Free DZR Brass
13	Cap	Lead Free DZR Brass



Designed for residential or commercial use with potable water. This approved Webstone valve is actuated by a blowout proof stem and features an adjustable packing gland. Threaded ends comply with ANSI B1.20.1. *H-10423W-RB and H-30423W-RB are certified to NSF/ANSI 14.

ITEM#	Connection Type	SIZE (in)	Pressure Rating	Max. Temp.	A	B	C	D
* H-10423W-RB	FIP Union x ASTM F1807 PEX	3/4	250 PSI CWP Max	200°F Max	4.00	1.60	2.50	3.50
* H-30423W-RB	FIP Union x ASTM F1960 PEX	3/4	250 PSI CWP Max	200°F Max	4.00	1.60	2.50	3.80
H-40423W-RB	FIP Union x FIP	3/4	250 PSI CWP Max	200°F Max	4.00	1.60	2.50	3.40
H-50423W-RB	FIP Union x SWT	3/4	250 PSI CWP Max	200°F Max	4.00	1.60	2.50	3.50
H-80423W-RB	FIP Union x Press	3/4	250 PSI CWP Max	200°F Max	4.00	1.60	2.50	4.32

