

THIS SPACE FOR DESIGNER/ENGINEER APPROVAL

Job/Customer _____	Date _____	Contractor _____
Model Specified _____	Qty _____	Approved By _____
Designer/Engineer _____	Date _____	Contractor's PO# _____
Submitted By _____	Date _____	Other _____

H-4031W Series
Full Port Forged Brass Ball Valves
w/ Cap, Strap, Adjustable Packing Gland
& Reversible Handle
FIP x Hose
600 WOG / 150 WSP
ISO 9001

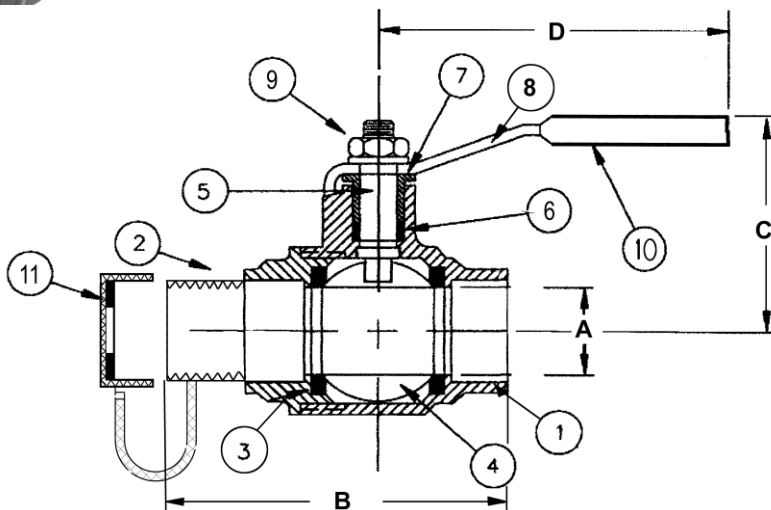
Lead free products are certified to
 NSF/ANSI 61-G



LEAD FREE ITEM #	SIZE	CTN	CASE	A	B	C	D	Cv
40312W	1/2" x 3/4"	10	60	9/16	2 3/8	1 7/8	3 1/2	11.5
40313W	3/4" x 3/4"	10	60	11/16	2 9/16	1 7/8	4 1/16	27.0



NO.	DESCRIPTION	MATERIAL
1	BODY	BRASS
2	END CAP	BRASS
3	SEAT	PTFE
4	BALL	BRASS HCP
5	STEM	BRASS
6	STEM SEAL	PTFE
7	PACKING GLAND	BRASS
8	HANDLE	STEEL CP
9	HANDLE NUT	BRASS
10	HANDLE JACKET	VINYL
11	CAP & STRAP	BRASS W/ NBR HOSE WASHER & STRAP



TEMP °F	PSI
100	600
150	490
200	470
250	439
300	411
350	294
366	N/A

Specifications: Designed for residential, commercial or industrial use with water, oil or gas. This approved Webstone valve is actuated by a blowout proof stem and features an adjustable packing gland. Threaded ends comply with ANSI B1.20.7. Hose ends comply with ANSI B1.20.7.



Quality and Commitment Since 1954

www.webstonevalves.com · P: (800) 225-9529 · F: (800) 336-5133

Webstone product specifications in U.S. customary units are approximate and are provided for reference only. Webstone reserves the right to change or modify product design, construction, specifications or materials without prior notice and without incurring any obligation to make such changes and modifications on Webstone products previously or subsequently sold.

4031-4031Wspec_081313

THIS SPACE FOR DESIGNER/ENGINEER APPROVAL

Job/Customer _____	Date _____	Contractor _____
Model Specified _____	Qty _____	Approved By _____
Designer/Engineer _____	Date _____	Contractor's PO# _____
Submitted By _____	Date _____	Other _____

5031 Series
Full Port Forged Brass Ball Valves
w/ Cap, Strap, Adjustable Packing Gland
& Reversible Handle
SWT x Hose
600 WOG / 150 WSP

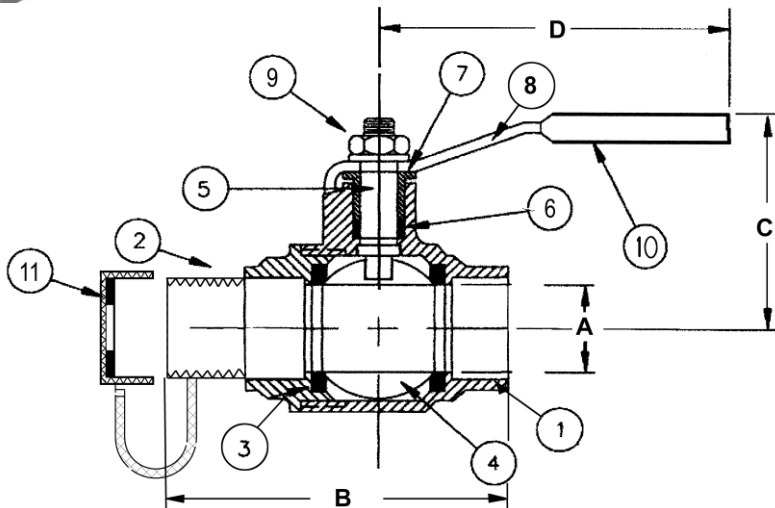
Lead free products are certified to
 NSF/ANSI 61-G



LEAD FREE ITEM #	SIZE	CTN	CASE	A	B	C	D	Cv
50312W	1/2" x 3/4"	10	100	1/2	2 1/2	1 7/8	3 9/16	11.5
50313W	3/4" x 3/4"	10	60	3/4	2 9/16	2 1/8	4 5/16	27.1



NO.	DESCRIPTION	MATERIAL
1	BODY	BRASS
2	END CAP	BRASS
3	SEAT	PTFE
4	BALL	BRASS HCP
5	STEM	BRASS
6	STEM SEAL	PTFE
7	PACKING GLAND	BRASS
8	HANDLE	STEEL CP
9	HANDLE NUT	STEEL CP
10	HANDLE JACKET	VINYL
11	CAP & STRAP	BRASS W/ NBR HOSE WASHER & STRAP



TEMP °F	PSI
100	600
150	485
200	395
250	210
300	N/A
350	N/A
366	N/A

Specifications: Designed for residential, commercial or industrial use with water, oil or gas. This approved Webstone valve is actuated by a blowout proof stem and features an adjustable packing gland. Solder joint temperature ratings are per ASME B16.18 Annex A for 95-5 solder. Other solder materials have lower pressure/temperature limits. Do not silver braze or over heat valves when soldering. Hose ends comply with ANSI B1.20.7.



Quality and Commitment Since 1954

www.webstonevalves.com · P: (800) 225-9529 · F: (800) 336-5133

Webstone product specifications in U.S. customary units are approximate and are provided for reference only. Webstone reserves the right to change or modify product design, construction, specifications or materials without prior notice and without incurring any obligation to make such changes and modifications on Webstone products previously or subsequently sold.

THIS SPACE FOR DESIGNER/ENGINEER APPROVAL

Job/Customer _____	Date _____	Contractor _____
Model Specified _____	Qty _____	Approved By _____
Designer/Engineer _____	Date _____	Contractor's PO# _____
Submitted By _____	Date _____	Other _____

8031W Series

**Full Port Forged Brass Ball Valves
w/ Cap, Strap,
Adjustable Packing Gland & Reversible Handle
Press x Hose
250 CWP 250° F MAX
ISO 9001**

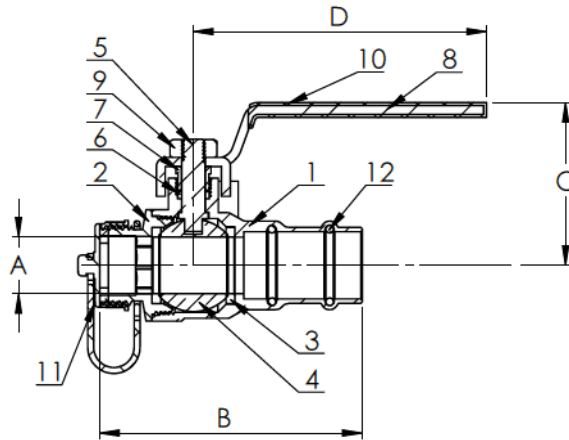


Certified to
NSF/ANSI 61
& NSF/ANSI 372

ITEM #	SIZE	CTN	CASE	A	B	C	D	Cv
80312W	1/2" x 3/4"	5	50	1/2	3 1/16	2 3/8	3 1/2	11.5
80313W	3/4"	5	40	3/4	3 7/16	2 5/8	3 1/2	27.1



NO.	DESCRIPTION	MATERIAL
1	BODY	BRASS
2	END CAP	BRASS
3	SEAT	PTFE
4	BALL	BRASS HCP
5	STEM	BRASS
6	STEM SEAL	PTFE
7	PACKING GLAND	BRASS
8	HANDLE	STEEL CP
9	HANDLE NUT	BRASS
10	HANDLE JACKET	VINYL
11	CAP & STRAP	BRASS W/ NBR HOSE WASHER & STRAP
12	O-RING	EPDM



TEMP °F	PSI
100	250
250	200

Specifications: Designed for residential, commercial or industrial use with water, oil or gas. This approved Webstone valve is actuated by a blowout proof stem and features an adjustable packing gland. Hose ends comply with ANSI B1.20.7.



Quality and Commitment Since 1954

www.webstonevalves.com · P: (800) 225-9529 · F: (800) 336-5133

Webstone product specifications in U.S. customary units are approximate and are provided for reference only. Webstone reserves the right to change or modify product design, construction, specifications or materials without prior notice and without incurring any obligation to make such changes and modifications on Webstone products previously or subsequently sold.

8031Wspec_011315