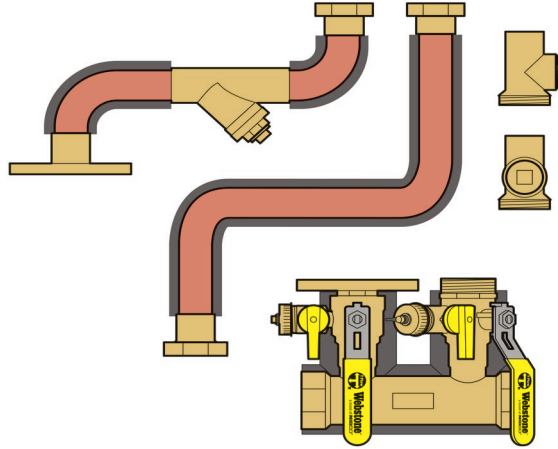




### H-CCL54-54Y Series

Hydro-Core Complete Near Boiler Piping Kit  
 Includes Left Flange Manifold  
 Copper Supply & Return Lines  
 (2) 1 SWT Boiler Connections  
 Mesh "Y" Strainer

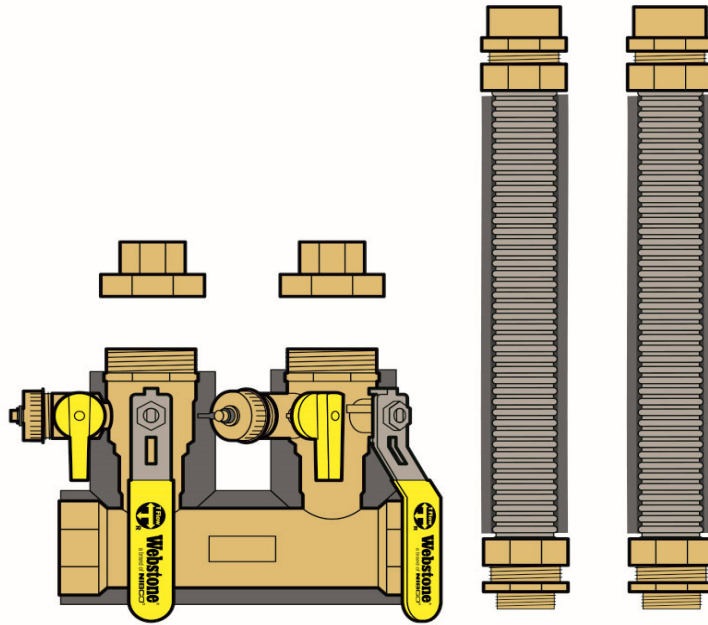


ITEM#	Connection Type	SIZE (in)	Carton	Case	Pressure Rating
H-4CCL54-54Y	FIP × SWT	1 1/4 × 1	1	1	600 PSI CWP Max
H-5CCL54-54Y	SWT	1 1/4 × 1	1	1	600 PSI CWP Max
H-8CCL54-54Y	Press × SWT	1 1/4 × 1	1	1	250 PSI CWP Max



## H-FK-WIF Series

Hydro-Core Complete Near Boiler Piping Kit  
 Includes Double Ball Drain Manifold  
 12" Flex Supply & Return Lines  
 (2) 1 MIP Boiler Connections  
 for Select Wall Hung Boilers



ITEM#	Connection Type	SIZE (in)	Carton Qty	Case Qty
H-4FK4-WIF	FIP	1 1/4 x 1	1	4
H-5FK4-WIF	SWT	1 1/4 x 1	1	4
H-8FK4-WIF	PRS	1 1/4 x 1	1	4

**THIS SPACE FOR DESIGNER/ENGINEER APPROVAL**

Job/Customer _____	Date _____	Contractor _____
Model Specified _____	Qty _____	Approved By _____
Designer/Engineer _____	Date _____	Contractor's PO# _____
Submitted By _____	Date _____	Other _____

# Insulated Flex Piping & Connections

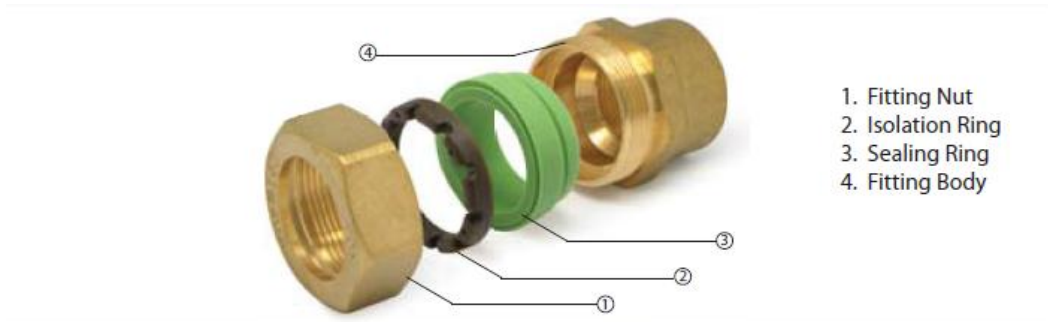
Fully Fabricated Supply & Return Lines  
with Boiler Connections

Insulated Flexible Stainless Steel Tubing

Surface Temp: -74° to 300° F



TECHNICAL DATA					
<b>Item</b>	<b>Hydro-Core Fittings</b>				
<b>Material</b>	Brass				
<b>Sealing Ring</b>	Silicone				
<b>Isolation Ring</b>	Nylon 66/ Fiberglass High-Temperature Gasket				
<b>Burst Pressure</b>	1420 PSI				
<b>Max Intermittent Temp</b>	428 F				
<b>Item</b>	<b>Hydro-Core Flexible Tubing</b>				
<b>Material</b>	Stainless Steel 304 (ASTM A 240)				
<b>Insulation</b>	EPDM				
<b>Connection Size (ID)</b>	<b>Pipe Length</b>	<b>SS Tubing Thickness</b>	<b>Insulation Thickness</b>	<b>Max Working Pressure</b>	<b>Min Bend Radius</b>
¾"	12"	0.012	½"	176 PSI	3"
1"	12"	0.012	½"	147 PSI	3"



1. Fitting Nut
2. Isolation Ring
3. Sealing Ring
4. Fitting Body

**Specifications:** Designed for residential, commercial or industrial use with water or a glycol mixture in a closed loop Hydronic system. This approved Webstone piping assembly is designed for use with the Hydro-Core Manifold, in near boiler piping applications. Instructions for cutting flex pipe to custom lengths can be found at [www.webstonevalves.com](http://www.webstonevalves.com). Fitting must be disassembled prior to making any sweat connections in order to avoid damaging the seats and/or seals. See installation instructions for further details.



Quality and Commitment Since 1954

www.webstonevalves.com · P: (800) 225-9529 · F: (800) 336-5133

Webstone product specifications in U.S. customary units are approximate and are provided for reference only. Webstone reserves the right to change or modify product design, construction, specifications or materials without prior notice and without incurring any obligation to make such changes and modifications on Webstone products previously or subsequently sold.

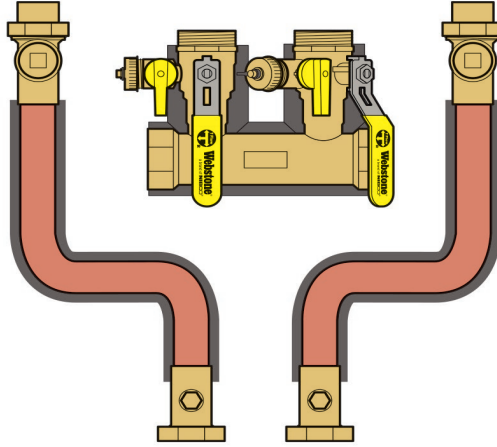
Hydro-CoreFlexspec\_100912



PATENTED TECHNOLOGY

## H-NBHK Series

Hydro-Core Complete Near Boiler Piping Kit  
 Double Ball Drain Manifold  
 Includes Copper Supply & Return Lines,  
 1" FIP Boiler Connections & Plugged Gauge Port  
 See Boiler Compatibility Guide to Find a Kit to Fit a Specific Boiler



ITEM#	Connection Type	SIZE (in)	Carton	Case	Pressure Rating
H-4CC4-NBHK	FIP	1 1/4 × 1	1	4	600 PSI CWP Max
H-5CC4-NBHK	SWT	1 1/4 × 1	1	4	600 PSI CWP Max
H-8CC4-NBHK	Press × FIP	1 1/4 × 1	1	4	250 PSI CWP Max