



H-G166 - G-Series Dielectric Water Heater Supply Valves

H-G166W Series

G-Series Dielectric Water Heater Supply Valve

Full Port DZR Brass Ball Valve

w/ Dielectric Union End

1/2" FIP Vacuum Relief Valve Port

(2) Plugged FIP Ports (1/2" & 1/8")

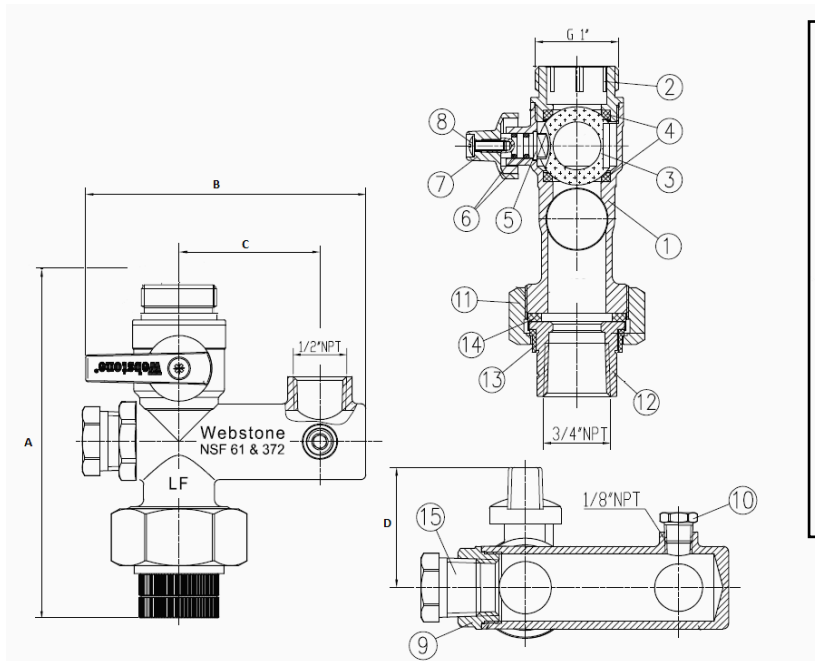
Requires (1) G-Union Fitting (Sold Separately)

Certifications

Certified to NSF/ANSI/CAN 61 & 372



Size (in)	Item#	Weight (lbs)	CTN Qty	Case Qty	A	B	C	D	150 PSI CWP Max	180°F Max
3/4" x 1"	H-G1663W	1.65	1	16	5.13	4.37	2.20	1.72		



NO.	DESCRIPTION	MATERIAL
1	Body	Lead-Free DZR Brass
2	Cap	Lead-Free DZR Brass
3	Ball	Stainless Steel
4	Seat	PTFE
5	Stem	Lead-Free DZR Brass
6	O-ring	EPDM
7	Handle	Aluminum
8	Screw	Stainless Steel
9	Cap	Lead-Free DZR Brass
10	Plug	Lead-Free DZR Brass
11	Union Nut	Zinc Plated Steel
12	FIP Fitting	Zinc Plated Steel
13	Insulator Ring	PSU
14	Gasket	EPDM
15	Plug	Lead-Free DZR Brass

Specifications: Designed for use with water in residential or commercial plumbing systems. Threaded (NPT) ends comply with ANSI B1.20.1. G-threaded bodies require matching G-union fitting for installatio

