

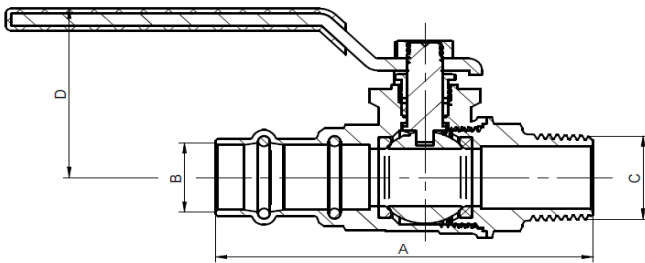


H-8x70W Series

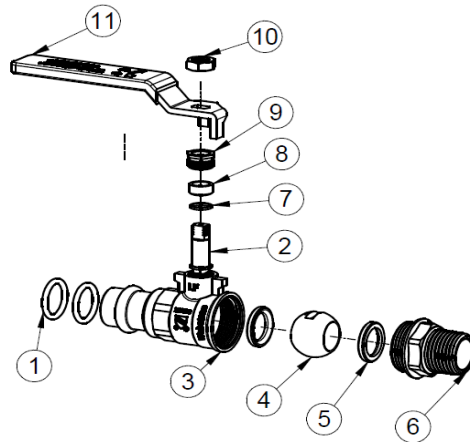
Full Port Forged DZR Brass Ball Valve
w/ Reversible Handle
& Adjustable Packing Gland

Certifications

Certified to NSF/ANSI 61 & 372
Lead-Free



NO.	DESCRIPTION	MATERIAL
1	O-Ring	EPDM
2	Stem	Lead-Free DZR Brass (SS sizes 1 1/4 -2)
3	Body	Lead-Free DZR Brass
4	Ball	Lead-Free DZR Brass (SS sizes 1 1/4 -2)
5	Seat	PTFE
6	Cap	Lead-Free DZR Brass
7	Thrust Washer	PTFE
8	Packing	PTFE
9	Packing Gland	Brass
10	Handle Nut	Stainless Steel
11	Handle	Steel CP



Designed for residential, commercial, or industrial use with water, oil, or gas. This approved Webstone valve is actuated by a blowout proof stem and features an adjustable packing gland. Threaded ends comply with ANSI B.1.20.1.

ITEM#	Connection Type	SIZE (in)	Max Temp	Pressure Rating	A	B	C	D
H-82702W	Press x MIP	1/2"	250° F Max	250 PSI CWP Max	3.45	0.64	0.50 NPT	1.74
H-82703W	Press x MIP	3/4"	250° F Max	250 PSI CWP Max	3.96	0.89	0.75 NPT	2.00
H-82704W	Press x MIP	1"	250° F Max	250 PSI CWP Max	4.38	1.14	1.00 NPT	2.37
H-82705W	Press x MIP	1 1/4"	250° F Max	250 PSI CWP Max	5.07	1.39	1.25 NPT	2.87
H-82706W	Press x MIP	1 1/2"	250° F Max	250 PSI CWP Max	5.33	1.64	1.50 NPT	3.07
H-82707W	Press x MIP	2"	250° F Max	250 PSI CWP Max	6.20	2.14	2.00 NPT	3.61
H-84702W	Press x FIP	1/2"	250° F Max	250 PSI CWP Max	3.08	0.64	0.50 NPT	1.74
H-84703W	Press x FIP	3/4"	250° F Max	250 PSI CWP Max	3.58	0.89	0.75 NPT	2.00
H-84704W	Press x FIP	1"	250° F Max	250 PSI CWP Max	3.89	1.14	1.00 NPT	2.37
H-84705W	Press x FIP	1 1/4"	250° F Max	250 PSI CWP Max	4.63	1.39	1.25 NPT	2.87
H-84706W	Press x FIP	1 1/2"	250° F Max	250 PSI CWP Max	4.93	1.64	1.50 NPT	3.07
H-84707W	Press x FIP	2"	250° F Max	250 PSI CWP Max	5.96	2.14	2.00 NPT	3.61