

THIS SPACE FOR DESIGNER/ENGINEER APPROVAL

Job/Customer _____	Date _____	Contractor _____
Model Specified _____	Qty _____	Approved By _____
Designer/Engineer _____	Date _____	Contractor's PO# _____
Submitted by _____	Date _____	Other _____

8142HV Series

**Full Port Forged Brass Uni-Flange Ball Valve
w/ 4-Way Selectable Flow Path
Plugged FNPT Ports & Adjustable Packing Gland
Nuts, Bolts & Flange Gasket
FNPT x FNPT x Press x Rotating Flange
250 CWP / 250°F MAX
ISO 9001**



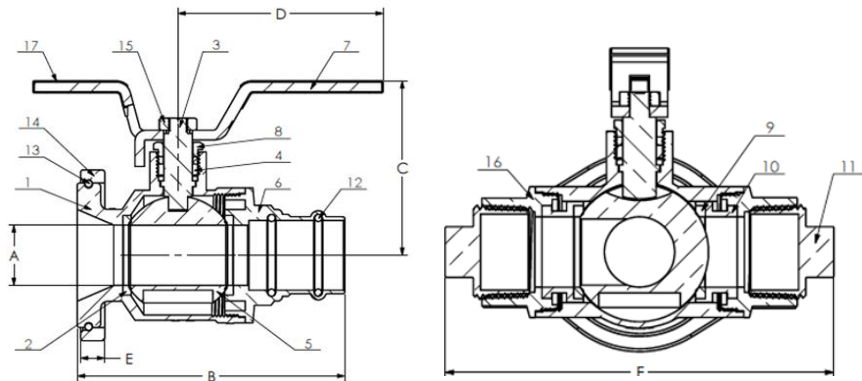
Item #	Size	CTN/CASE	A	B	C	D	E	F
81424HV	1"	1/10	1"	4 3/8	2 5/8	2 3/8	3/8	6



TEMP °F	PSI
100	250
250	200

NO.	DESCRIPTION	MATERIAL
1	BODY	BRASS
2	SEAT	PTFE
3	STEM	BRASS
4	STEM SEAL	PTFE
5	BALL	BRASS CP
6	END CAP	BRASS
7	HANDLE	PLATED STEEL
8	PACKING GLAND	BRASS
9	SEATS	PTFE
10	SEAT SLEEVE	BRASS
11	NPT PLUG	BRASS
12	O-RING	EPDM
13	SNAP RING	STAINLESS STEEL
14	ROTATING FLANGE	BRASS
15	HANDLE NUT	STAINLESS STEEL
16	END CAP	BRASS
17	HANDLE JACKET	VINYL

PATENTS PENDING



Specifications: Designed for residential, commercial or industrial use for geothermal applications in ground loops with water or glycol mixture only. This approved Webstone valve is actuated by a blowout proof stem and features an adjustable packing gland. Flange end features a conical inlet to minimize system turbulence. HV models fit both standard and high velocity pumps. Plugged ends are used to directionally fill earth or system loops. Reversible T-Flow handle allows for flow path versatility. Flange x Press ends for easy installation.



Quality and Commitment Since 1954

www.webstonevalves.com · P: (800) 225-9529 · F: (800) 336-5133

Webstone product specifications in U.S. customary units are approximate and are provided for reference only. Webstone reserves the right to change or modify product design, construction, specifications or materials without prior notice and without incurring any obligation to make such changes and modifications on Webstone products previously or subsequently sold.