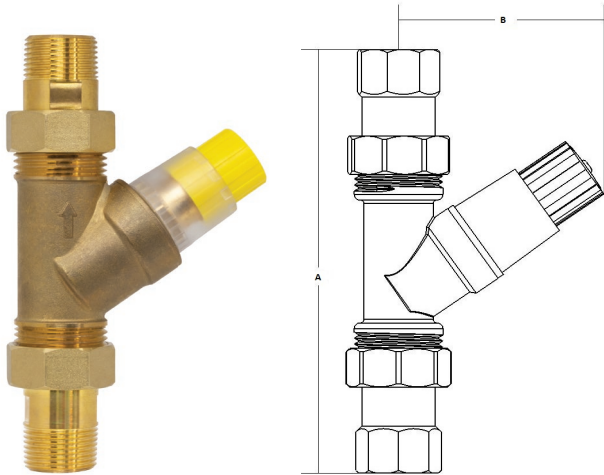


7050 Series

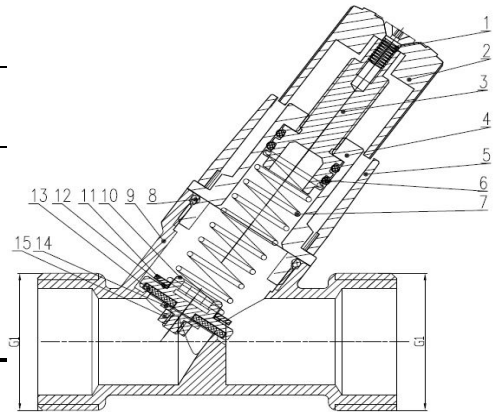
Forged Brass Differential Pressure By-Pass Valve
Opening Differential Pressure Setting Adjustable from 1.5 to 9 PSI



NO.	DESCRIPTION	MATERIAL
1	Handle	Plastic
2	Screw	Stainless Steel
3	Position Locking Cap	Plastic
4	Bonnet	Brass
5	Stem	Brass
6	O-Ring	Rubber
7	O-Ring	Rubber
8	Spring	Stainless Steel
9	Body	Brass
10	Sealed Cap	Brass
11	Copper Backing	Copper
12	Gasket	PTFE
13	Gasket	Rubber
14	Gasket	Stainless Steel
15	Nut	Stainless Steel

Designed for residential, commercial or industrial use with water or a glycol mixture.

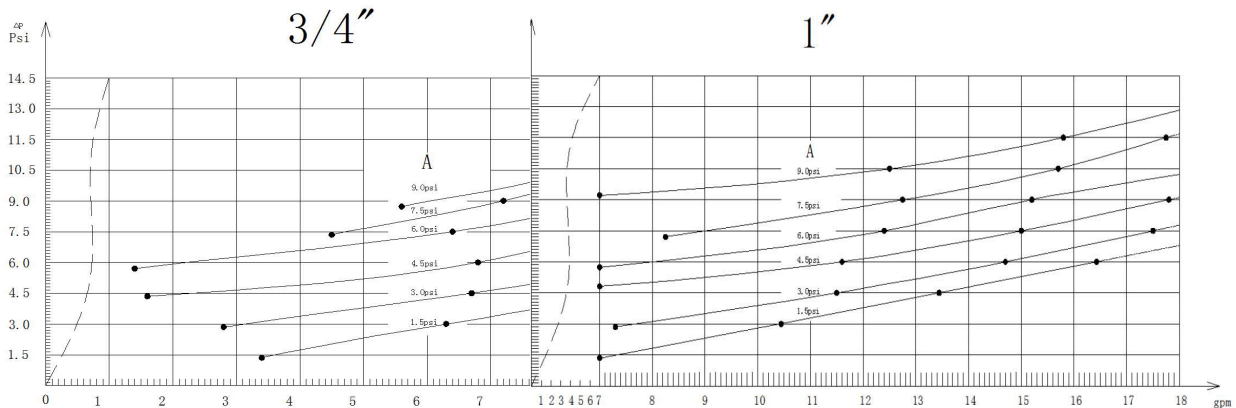
ITEM#	Connection Type	SIZE (in)	Pressure Rating	Max Temp	A	B	GPM
H-72533	MIP	3/4	145 PSI CWP	230 F	6.45	3.23	9
H-72544	MIP	1	145 PSI CWP	230 F	6.73	3.39	18
H-74533	FIP	3/4	145 PSI CWP	230 F	6.93	3.23	9
H-74544	FIP	1	145 PSI CWP	230 F	7.01	3.39	18
H-75533	SWT	3/4	145 PSI CWP	230 F	6.89	3.23	9
H-75544	SWT	1	145 PSI CWP	230 F	7.23	3.39	18
H-78533	Press	3/4	145 PSI CWP	230 F	8.47	3.23	9
H-78544	Press	1	145 PSI CWP	230 F	8.47	3.39	18



Hydraulic characteristics

A = The opening differential pressure setting

ΔP = Differential pressure





H-7x50B Series

Forged Brass Differential Pressure By-Pass Valve Body
Opening Differential Pressure Setting Adjustable from 1.5 to 9 PSI
Requires (2) G1 Union Fittings (Sold Separately)



ITEM#	Connection Type	SIZE (in)	Carton Qty	Case Qty	Pressure Rating	Max Temp
H-70530	G-Thread	1 x 3/4	1	36	145 PSI CWP Max	230°F Max
H-70540	G-Thread	1	1	36	145 PSI CWP Max	230°F Max