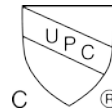


THIS SPACE FOR DESIGNER/ENGINEER APPROVAL

Job/Customer _____	Date _____	Contractor _____
Model Specified _____	Qty _____	Approved By _____
Designer/Engineer _____	Date _____	Contractor's PO# _____
Submitted by _____	Date _____	Other _____

6270W Series
Full Port Forged Brass Ball Valve
w/ Adjustable Packing Gland
Push x Push
200 WOG
200 PSI / Max Temp 200°F
ISO 9001

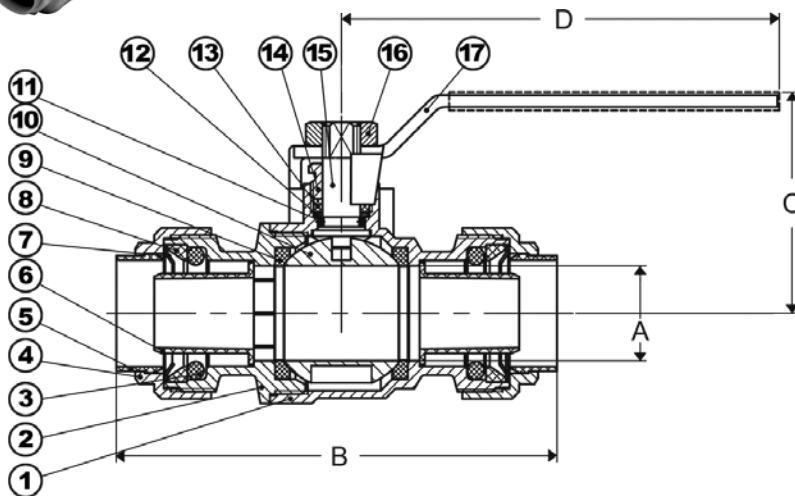


Lead free products are certified to NSF/ANSI 61-G

LEAD FREE ITEM #	SIZE	CTN	CASE	A	B	C	D
62702W	1/2"	10	100	1/2	3	1 11/16	3 5/8
62703W	3/4"	10	100	3/4	3 5/16	1 13/16	3 5/8
62704W	1"	5	50	1	3 7/8	2 7/16	4 3/16



NO.	DESCRIPTION	MATERIAL
1	BODY	BRASS
2	END CAP	BRASS
3	O-RING	EPDM
4	NUT	BRASS
5	RELEASE COLLAR	PLASTIC
6	INNER LINING	PLASTIC
7	GRIP RING	STAINLESS STEEL 304
8	PROTECTOR	PLASTIC
9	SEAT SEAL	PTFE
10	BALL	BRASS HCP
11	O-RING	EPDM
12	METAL GASKET	BRASS
13	STEM PACKING	PTFE
14	PACKING GLAND	BRASS
15	STEM	BRASS
16	LOCK NUT	STEEL ZP
17	HANDLE	STEEL CP



TEMP °F	PSI
100	200
150	200
200	200

Specifications: Designed for residential, commercial or industrial use with water, specifically for use in copper, PEX, and CPVC systems. This valve features a fully removable/replaceable grip assembly, ideal for use in potable water and hydronic heating systems. This approved Webstone valve is actuated by a blowout proof stem and features an adjustable packing gland.



Quality and Commitment Since 1954

www.webstonevalves.com · P: (800) 225-9529 · F: (800) 336-5133

Webstone product specifications in U.S. customary units are approximate and are provided for reference only. Webstone reserves the right to change or modify product design, construction, specifications or materials without prior notice and without incurring any obligation to make such changes and modifications on Webstone products previously or subsequently sold.

6270-6270WSpec_091013