



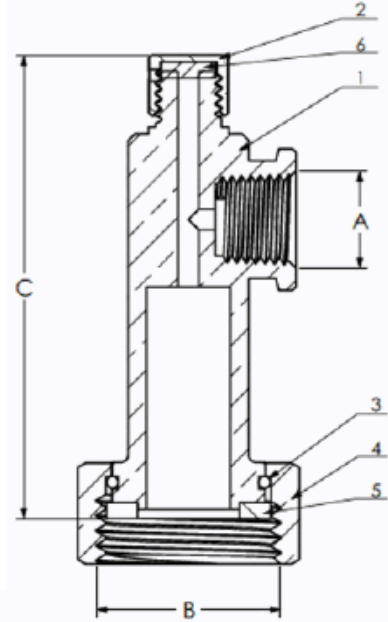
H-3000W-P Series

Pro-Pal Add-A-Gauge

Forged Brass Hose Fitting
w/ 1/8" Bleeder (Capped)
For Connection to Pressure Gauge

Certifications

Certified to NSF/ANSI 61



NO.	DESCRIPTION	MATERIAL
1	Body	Brass
2	Bleeder Cap	Brass
3	Snap Ring	Stainless Steel
4	Union Nut	Brass
5	Union Gasket	EPDM
6	Bleeder Cap Gasket	EPDM

	Size (in)	Item#	Max Temp	Pressure Rating	Weight (lbs)	Carton Qty	Case Qty	A	B	C
Hose x FIP Union	3/4" x 1/4"	H-3000W-P	250°F Max	250 PSI CWP Max	0.26	10	100	0.25	0.75	2.75

Specifications: Designed for residential, commercial, or industrial use with water, oil, or gas. Threaded ends comply with ANSI B1.20.1. Designed for use with water, oil, glycol mix in residential or commercial plumbing and heating systems.





H-3000W-TP Series

Pro-Pal Add-A-Gauge

Forged Brass Hose Fitting

w/ 1/8" Bleeder (Capped)

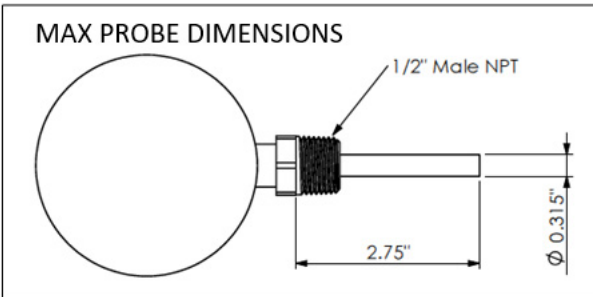
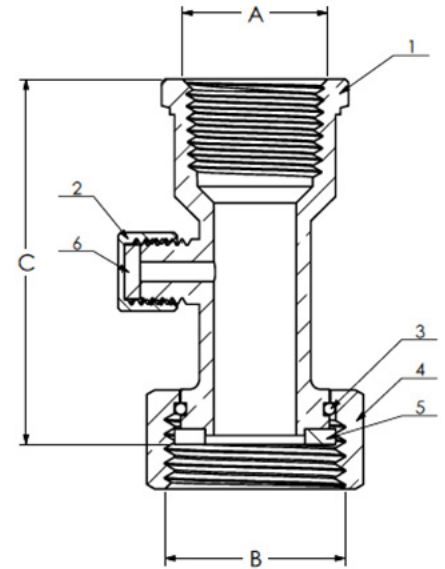
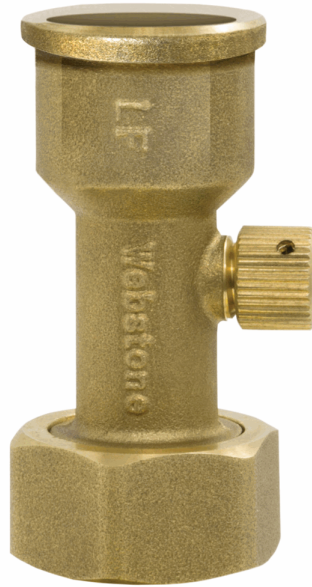
For Connection to Temperature/Pressure Gauge

Certifications

Certified to NSF/ANSI 61



NO.	DESCRIPTION	MATERIAL
1	Body	Brass
2	Bleeder Cap	Brass
3	Snap Ring	Stainless Steel
4	Union Nut	Brass
5	Union Gasket	EPDM
6	Bleeder Cap Gasket	EPDM



	Size (in)	Item#	Max Temp	Pressure Rating	Weight (lbs)	Carton Qty	Case Qty	A	B	C
Hose x FIP Union	3/4" x 1/2"	H-30000W-TP	250°F Max	250 PSI CWP Max	0.26	10	100	0.5	0.75	2.13

Specifications: Designed for residential, commercial, or industrial use with water, oil, or gas. Threaded ends comply with ANSI B1.20.1. Designed for use with water, oil, glycol mix in residential or commercial plumbing and heating systems.

