

THIS SPACE FOR DESIGNER/ENGINEER APPROVAL

Job/Customer _____	Date _____	Contractor _____
Model Specified _____	Qty _____	Approved By _____
Designer/Engineer _____	Date _____	Contractor's PO# _____
Submitted by _____	Date _____	Other _____



1370 Series

Double Flanged Check

Forged Brass Check Valve w/ Rotating Flange

Includes One Set of Mounting Bolts & Full-Faced Flange Gasket

Flange x Rotating Flange

150 PSI @ 200 ° F

ISO 9001

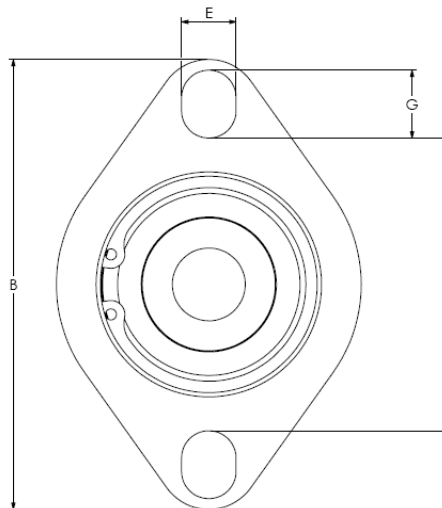
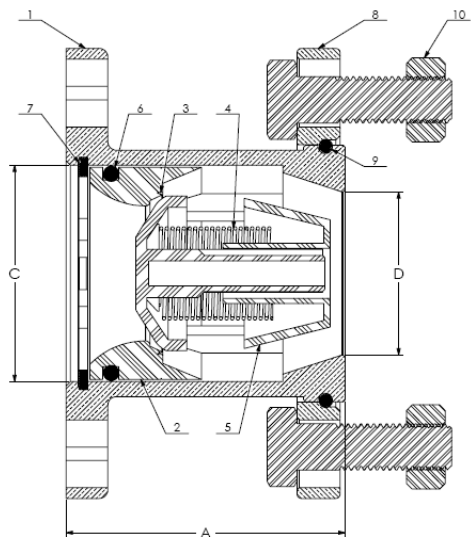
ITEM #	SIZE	CTN	CASE	A	B	C	D	E	F	G	Cv	Cracking Pressure (PSI)	Recommended Flow Range (GPM)
13703HV	¾ thru 1 ¼	1	10	1 3/4	4 3/16	1 1/4	1 1/8	3/8	2 11/16	5/8	27.4	0.23	15-50
13706HV	1 ½" thru 2"	1	10	2 9/16	4 3/16	2	1 1/2	3/8	2 11/16	5/8	66.6	0.17	55-120



PATENT PENDING



NO.	DESCRIPTION	MATERIAL
1	FLANGE BODY	BRASS
2	CHECK VALVE BODY	ABS
3	O-RING INNER SEAL	NBR
4	SPRING	STAINLESS STEEL
5	POPPET	ABS
6	O-RING OUTER SEAL	NBR
7	RETAINING RING	STAINLESS STEEL
8	ROTATING FLANGE	BRASS
9	ROTATING FLANGE RING	STAINLESS STEEL
10	FLANGE NUTS & BOLTS	STEEL ZP



TEMP °F	PSI
100	150
150	150
200	150
250	N/A
300	N/A
350	N/A
366	N/A

Specifications: Designed for residential, commercial or industrial use with water or a glycol in conjunction with a Webstone Isolator Uni-Flange Ball Valve on circulator pumps without integral checks. The valve operates in a horizontal or vertical position. The valve must be installed so that the directional arrow on the body corresponds with the system flow. The rotating flange is secured by a snug-fit snap-ring that provides greater control over positioning during installation.



Quality and Commitment Since 1954

www.webstonevalves.com P: (800) 225-9529 F: (800) 336-5133

Webstone product specifications in U.S. customary units are approximate and are provided for reference only. Webstone reserves the right to change or modify product design, construction, specifications or materials without prior notice and without incurring any obligation to make such changes and modifications on Webstone products previously or subsequently sold.

1370Spec_111913