

## 1054W Series

Forged Brass Swing Check Valve

Hard Seat

Lead Free

FIP

Max Operating Pressure: 200 WOG/125 WSP

Certified to NSF/ANSI 61

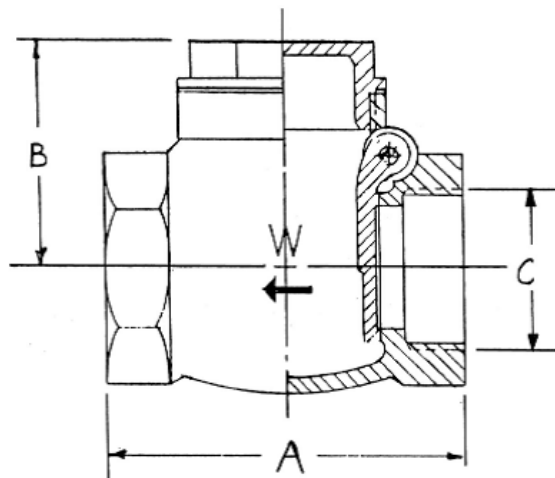


| ITEM#  | SIZE (in) | CTN | CASE | A    | B    | C    |
|--------|-----------|-----|------|------|------|------|
| 10540W | 1/4       | 12  | 120  | 1.88 | 1.00 | 0.25 |
| 10541W | 3/8       | 10  | 120  | 1.88 | 1.00 | 0.38 |
| 10542W | 1/2       | 10  | 120  | 2.00 | 1.38 | 0.50 |
| 10543W | 3/4       | 10  | 80   | 2.38 | 1.50 | 0.75 |
| 10544W | 1         | 5   | 60   | 2.94 | 1.50 | 1.00 |
| 10545W | 1 1/4     | 5   | 40   | 3.25 | 2.00 | 1.25 |
| 10546W | 1 1/2     | 5   | 30   | 3.75 | 2.25 | 1.50 |
| 10547W | 2         | 2   | 12   | 4.25 | 2.56 | 2.00 |
| 10548W | 2 1/2     | 2   | 8    | 5.63 | 3.25 | 2.50 |
| 10549W | 3         | 1   | 8    | 6.13 | 3.50 | 3.00 |
| 10550W | 4         | 1   | 4    | 7.00 | 4.25 | 4.00 |



| NO. | DESCRIPTION | MATERIAL        |
|-----|-------------|-----------------|
| 1   | Body        | Lead Free Brass |
| 2   | End Cap     | Lead Free Brass |
| 3   | Swing Check | Lead Free Brass |
| 4   | Pin         | Stainless Steel |
| 5   | Nut         | Brass           |

Designed for residential, commercial or industrial use with water, oil or gas. Threaded ends comply with ANSI B1.20.1. Sizes 1/4"-2" are certified to NSF/ANSI 61-2010a. Sizes 2 1/2"-4" are compliant with NSF/ANSI 61-2010a



**THIS SPACE FOR DESIGNER/ENGINEER APPROVAL**

|                         |            |                        |
|-------------------------|------------|------------------------|
| Job/Customer _____      | Date _____ | Contractor _____       |
| Model Specified _____   | Qty _____  | Approved By _____      |
| Designer/Engineer _____ | Date _____ | Contractor's PO# _____ |
| Submitted By _____      | Date _____ | Other _____            |

# H-1062W Series

## Forged Brass Swing Check Valve

**Hard Seat  
CxC**

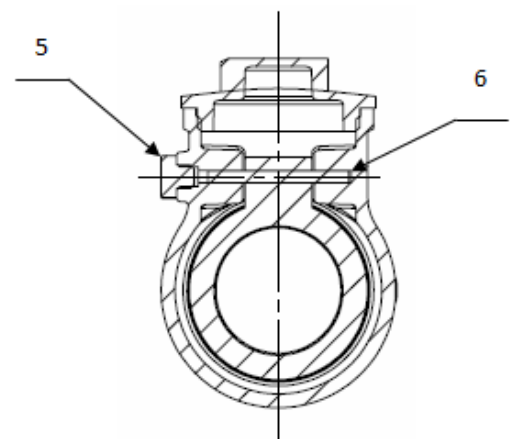
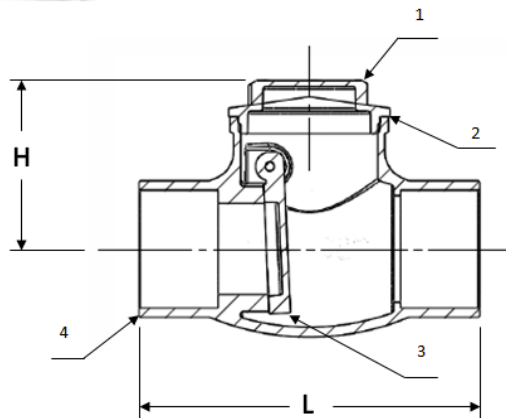
**200 WOG/125 WSP**

Lead free products are certified to  
NSF/ANSI 61-G



| ITEM # | SIZE   | CTN | CASE | H       | L      |
|--------|--------|-----|------|---------|--------|
| 10622W | 1/2"   | 10  | 120  | 1 5/16  | 2 7/16 |
| 10623W | 3/4"   | 10  | 80   | 1 1/2   | 3 3/16 |
| 10624W | 1"     | 10  | 60   | 1 9/16  | 3 9/16 |
| 10625W | 1 1/4" | 5   | 40   | 1 7/8   | 4 5/16 |
| 10626W | 1 1/2" | 5   | 30   | 2 1/4   | 4 3/4  |
| 10627W | 2"     | 5   | 10   | 2 11/16 | 5 7/16 |

| NO. | DESCRIPTION | MATERIAL |
|-----|-------------|----------|
| 1   | CAP         | BRASS    |
| 2   | PACKING     | LOCTITE  |
| 3   | DISC        | BRASS    |
| 4   | BODY        | BRASS    |
| 5   | BOLT        | BRASS    |
| 6   | PIN         | BRASS    |



**Webstone**  
VALVE INNOVATION

Quality and Commitment Since 1954

www.webstonevalves.com · P: (800) 225-9529 · F: (800) 336-5133

Webstone product specifications in U.S. customary units are approximate and are provided for reference only. Webstone reserves the right to change or modify product design, construction, specifications or materials without prior notice and without incurring any obligation to make such changes and modifications on Webstone products previously or subsequently sold.

1062Spec\_061315