



H-1013W Series

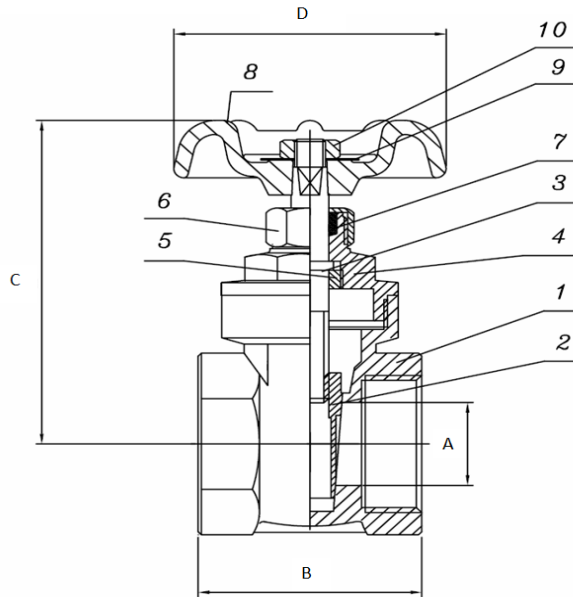
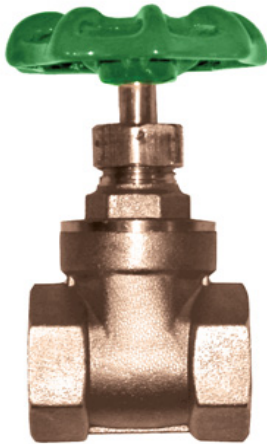
Forged Brass Gate Valve
Hard Seat

Certifications

Certified to NSF/ANSI 61-G
Lead-Free



NO.	DESCRIPTION	MATERIAL
1	Body	Lead-Free Brass
2	Disc	Lead-Free Brass
3	Stem	Lead-Free Brass
4	Cap	Lead-Free Brass
5	Lock Nut	Brass
6	Nut	Brass
7	Packing Gland	PTFE
8	Hand Wheel	Cast Iron
9	Name Plate	Aluminum
10	Nut	Steel



ITEM#	Connection Type	SIZE (In)	Pressure Rating	A	B	C	D
H-10132W	FIP	1/2	200 PSI CWP Max/125 WSP	0.50	1.63	2.63	2.00
H-10133W	FIP	3/4	200 PSI CWP Max/125 WSP	0.69	1.81	3.00	2.00
H-10134W	FIP	1	200 PSI CWP Max/125 WSP	0.75	2.00	3.19	2.31
H-10135W	FIP	1 1/4	200 PSI CWP Max/125 WSP	1.13	2.31	3.69	3.00
H-10136W	FIP	1 1/2	200 PSI CWP Max/125 WSP	1.38	2.38	4.25	3.00
H-10137W	FIP	2	200 PSI CWP Max/125 WSP	1.75	2.50	5.25	3.00
H-10138W	FIP	2 1/2	200 PSI CWP Max/125 WSP	2.25	3.31	6.00	3.88
H-10139W	FIP	3	200 PSI CWP Max/125 WSP	2.75	3.75	6.75	4.25
H-10140W	FIP	4	200 PSI CWP Max/125 WSP	3.38	4.00	8.19	5.00