

Gas Ball Valve

GB10*/GB1A Female x Female, Lever Handle

- CSA Certified to ½ PSI for indoor appliance connections per ANSI Z21.15/CSA 9.1
- 5 PSI for indoor shutoff per CGA CR91-002 and ASME B16.44
- 600 PSI CWP Rated

MATERIAL LIST

PART	SPECIFICATION
1. Body	Forged Brass ¹ CU>57%
2. End Piece	Forged Brass ¹ CU>57%
3. Seat	PTFE, Glass Reinforced
4. Ball	Brass, Chrome Plated
5. Stem	Brass
6. O-Ring	Nitrile
7. Handle	Aluminum, Painted Red
8. Nut	Steel, Plated
9. ID Plate	Aluminum

DIMENSIONS—WEIGHT

Size (In.)	A	B	C	D	E	Wt. (lbs)
¾	1.91	1.14	1.19	0.39	0.51	.31
½	2.21	1.19	1.19	0.47	0.61	.36
¾	2.45	1.26	1.19	0.59	0.67	.47
1	2.76	1.36	1.19	0.75	0.71	.91

*GB10, ¾" not CSA certified

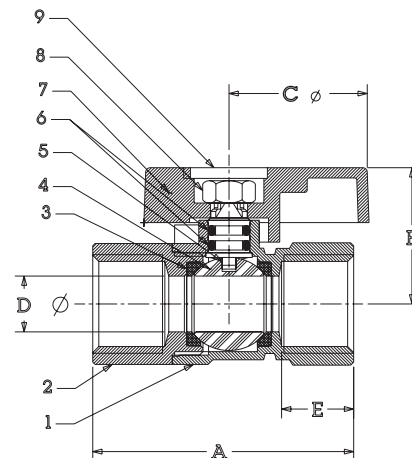
¹ For material certification, contact NIBCO Technical Services

NOT FOR USE WITH POTABLE DRINKING WATER APPLICATIONS AFTER JANUARY 3, 2014.

⚠ WARNING: This product can expose you to chemicals including lead, which is known to the State of California to cause cancer and birth defects or other reproductive harm. For more information go to www.P65Warnings.ca.gov.



GB1A



GB2A Female x Female, Square Head

- CSA Certified to ½ PSI for indoor appliance connections per ANSI Z21.15/CSA 9.1
- 5 PSI for indoor shutoff per CGA CR91-002 and ASME B16.44
- 600 PSI CWP Rated

MATERIAL LIST

PART	SPECIFICATION
1. Body	Forged Brass ¹ CU>57%
2. End Piece	Forged Brass ¹ CU>55%
3. Seat	PTFE, Glass Reinforced
4. Ball	Brass, Chrome Plated
5. Stem	Brass
6. O-Ring	Nitrile
7. Handle	Copper Alloy Painted Red
8. Screw	Steel, plated

DIMENSIONS—WEIGHT

Size (In.)	A	B	C	D	E	Wt. (lbs)
½	2.21	1.44	.95	.47	.61	.34
¾	2.45	1.56	.95	.59	.67	.45

Note: ¹ For Material Certification, contact NIBCO Technical Services.

⚠ WARNING: This product can expose you to chemicals including lead, which is known to the State of California to cause cancer and birth defects or other reproductive harm. For more information go to www.P65Warnings.ca.gov.

NOT FOR USE WITH POTABLE DRINKING WATER APPLICATIONS AFTER JANUARY 3, 2014.



GB2A

