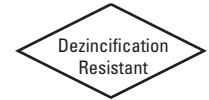


Bronze Ball Valves

Three-Piece Body • Full Port • Grooved End • Bronze Trim • Blowout-Proof Stem

600 PSI/41.4 bar non-shock cold working pressure



CONFORMS TO MSS SP-110

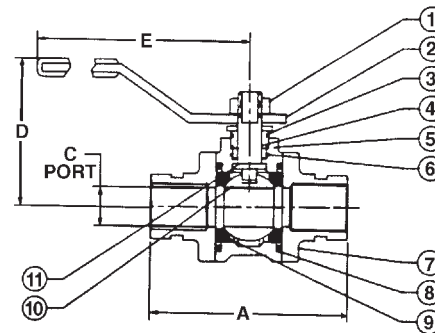
MATERIAL LIST

| PART | SPECIFICATION |
|------------------------|--|
| 1. Handle Nut | Zinc Plated Steel |
| 2. Handle | Zinc Plated Steel Clear Chromate Plastisol Coated |
| 3. Threaded Pack Gland | Brass ASTM B 16 Alloy C36000 |
| 4. Stem | Silicon Bronze ASTM B 371 Alloy C69430 or ASTM B 99 Alloy C65100 |
| 5. Body | Bronze ASTM B 584 Alloy C84400 |
| 6. Packing | PTFE |
| 7. Body End (2) | Bronze ASTM B 584 Alloy C84400 |
| 8. O-Ring Seal (2) | Fluorocarbon Rubber |
| 9. Seat Ring (2) | PTFE |
| 10. Ball | Brass ASTM B 124 Alloy C37700 or ASTM B16 Alloy C36000 EACH with Hard Chrome Plate |
| 11. Thrust Washer | Reinforced PTFE |
| 12. Body Bolts | Zinc Dichromate Plated Steel ASTM A 449 Grade 5 |
| 13. Body Nuts | Zinc Dichromate Plated Steel ASTM A 449 Grade 5 |

Note: valves are static grounded by a grounding washer. (not shown)



G-595-Y
Grooved

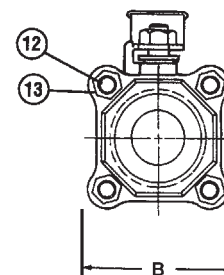


DIMENSIONS—WEIGHTS—QUANTITIES

| Size | Dimensions | | | | | | G-595-Y | Master | | | | | | |
|------|------------|------|-----|------|-----|------|---------|--------|-----|------|-----|-------|------|----|
| | A | | B | | C | | | | D | | E | | | |
| In. | mm. | In. | mm. | In. | mm. | In. | mm. | In. | mm. | Lbs. | Kg. | Ctn. | Qty. | |
| 1½ | 40 | 5.87 | 149 | 3.00 | 76 | 1.50 | 38 | 2.97 | 75 | 6.69 | 170 | 6.02 | 2.73 | 10 |
| 2 | 50 | 6.64 | 169 | 4.00 | 102 | 2.00 | 51 | 3.63 | 92 | 6.69 | 170 | 10.48 | 4.76 | 4 |
| 2½ | 65 | 7.78 | 198 | 5.00 | 127 | 2.50 | 64 | 4.09 | 104 | 8.00 | 203 | 18.30 | 8.30 | 2 |



WARNING: This product can expose you to chemicals including lead, which is known to the State of California to cause cancer and birth defects or other reproductive harm. For more information go to www.P65Warnings.ca.gov.



G-595-Y
GRVD x GRVD

Visit our website for the most current information.