

Class 250 Iron Body Gate Valves

Bolted Bonnet • Non-Rising Stem • Solid Wedge • Bronze Mounted

500 PSI/34.5 bar non-shock cold working pressure to -20°F to 150°F/-29°C to 66°C*

Maximum working temperature 450°F/232°C at 250 PSI/17.2 bar

250 PSI/17.2 bar saturated steam to 406°F/208°C

CONFORMS TO MSS SP-70

MATERIAL LIST

PART	SPECIFICATION
1. Handwheel Nut	Steel ASTM A563
2. Identification Plate	Aluminum
3. Handwheel	Cast Iron ASTM A126 Class B
4. Stem	Brass ASTM B16 Alloy C36000
5. Gland Follower Nut	Copper Alloy ASTM F 467 Alloy C27000
6. Gland Follower	Cast Iron ASTM A126 Class B or Ductile Iron ASTM A536
7. Gland Follower Bolt	Steel ASTM A307/SAE J429
8. Packing Gland	Zinc Plated Powdered Iron ASTM B783 or Copper Alloy ASTM B16
9. Stuffing Box	Cast Iron ASTM A126 Class B
10. Packing	PTFE Braided
11. Stuffing Box Gasket	Reinforced Graphite
12. Stuffing Box Bolt	Steel ASTM A307/SAE J429
13. Stuffing Box Nut	Steel ASTM A563
14. Body Bolt	Steel ASTM A307/SAE J429
15. Bonnet	Cast Iron ASTM A126 Class B
16. Body Gasket	Reinforced Graphite
17. Body Nut	Steel ASTM A307
18. ² Wedge Nut	Copper Alloy ASTM B584 Alloy C84400
19. Seat Ring	Copper Alloy ASTM B584 Alloy C84400
20. ¹ Wedge Face Ring	Copper Alloy ASTM B584 Alloy C84400
21. ¹ Wedge	Cast Iron ASTM A126 Class B
22. Body	Cast Iron ASTM A126 Class B

¹Sizes thru 3" have Bronze Wedges. 4" thru 12" have Cast Iron Wedges with Copper Alloy Wedge Face Rings.

²Copper Alloy Wedge Bushing cast in place on 4" Wedge. Copper Alloy Wedge Nut used in sizes 5" thru 12".

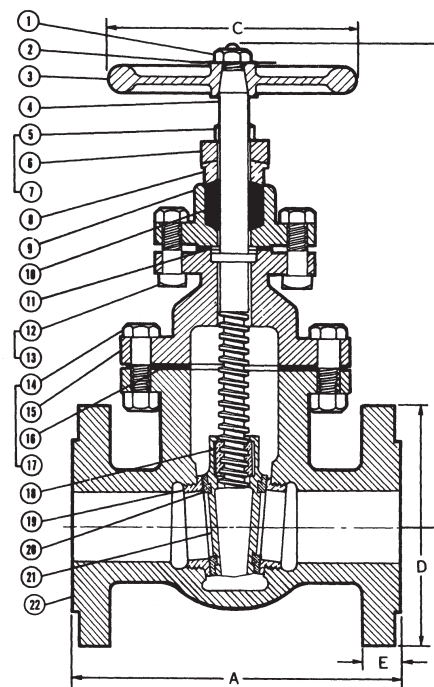
DIMENSIONS—WEIGHTS—QUANTITIES

Size	Dimensions										Weight		
	A		B		C		D		E		Lbs.	Kg.	
In.	mm.	In.	mm.	In.	mm.	In.	mm.	In.	mm.	In.	mm.		
2	50	8.50	216	13.50	343	7	178	6.50	165	.88	22	53	24
2½	65	9.50	241	15.00	381	8	203	7.50	191	1.00	25	72	33
3	80	11.13	283	16.50	419	10	254	8.25	210	1.13	29	115	52
4	100	12.00	305	18.50	470	12	305	10.00	254	1.25	32	186	85
5	125	15.00	381	20.75	527	12	305	11.00	279	1.38	35	269	122
6	150	15.88	403	24.00	610	16	406	12.50	318	1.44	37	374	170
8	200	16.50	419	28.50	724	16	406	15.00	381	1.63	41	581	264
10	250	18.00	457	34.00	864	18	457	17.50	445	1.88	48	786	357
12	300	19.75	502	36.00	914	20	508	20.50	521	2.00	51	1098	498

Position indicators available. See page 98.



F-669
Flanged



F-669
Flg x Flg

FREEZING WEATHER PRECAUTION: Subsequent to testing a piping system, valves should be left in an open position to allow complete drainage.

◆ For detailed Operating Pressure, refer to Pressure Temperature Chart on page 114.



WARNING: This product can expose you to chemicals including lead, which is known to the State of California to cause cancer and birth defects or other reproductive harm. For more information go to www.P65Warnings.ca.gov.

Visit www.nibco.com for current Chem-Guide and galvanic potential in piping systems information.