

# Class 150 Ductile Iron Body Gate Valves

Raised Face Flanges • Bolted Bonnet • Outside Screw and Yoke • Solid Wedge • 316 Stainless Steel Trim

**285 PSI/19.7 bar non-shock cold working pressure to -20°F to 100°F/-29°C to 38°C\***

**Maximum working temperature 450°F/232°C at 185 PSI/12.8 Bar**

**150 PSI/10.3 bar saturated steam to 500°F/260°C**



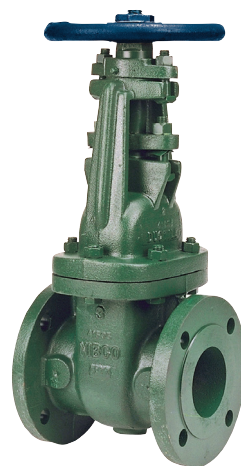
NSF/ANSI/CAN 61  
NSF/ANSI/CAN 372

CERTIFIED LEAD-FREE\* TO NSF/ANSI-61-8 (INCLUDES ANNEX F AND G) AND NSF/ANSI-372 • CONFORMS TO MSS SP-128

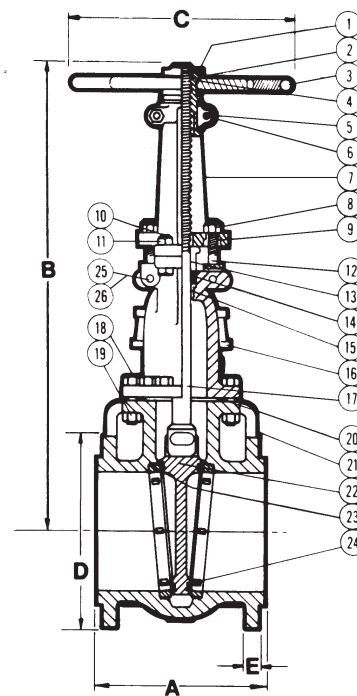
## MATERIAL LIST

PART	SPECIFICATION
1. Handwheel Nut	Ductile Iron ASTM A536
2. Identification Plate	Aluminum
3. Handwheel	Fabricated Steel
4. Yoke Bushing	Ductile Iron ASTM A536
5. Split Yoke Bolt	Steel ASTM A307/SAE J429
6. Split Yoke Bolt Nut	Steel ASTM A563
7. Yoke	Ductile Iron ASTM A536
8. Eye Bolt Nut	STEEL ASTM A563
9. Gland Follower	Ductile Iron ASTM A536
10. Yoke Bolt	Steel ASTM A307/SAE J429
11. Yoke Bolt Nut	Steel ASTM A563
12. Gland Follower Eye Bolt	Steel ASTM A307/SAE J429
13. Packing Gland	Stainless Steel ASTM A276
14. Packing	Wire Reinforced Carbon Yarn, Resilient Core, Graphite and Zinc Finish
15. Backseat Bushing	Stainless Steel ASTM A276
16. Bonnet	Ductile Iron ASTM A395
17. Stem	Stainless Steel ASTM A 276
18. Body Bolt	A193B7/SAEJ429 Grade 8
19. Body Bolt Nut	Steel ASTM A194 2H/SAE J995 Grade 8
20. Body Gasket	Synthetic Fibers / Nitrile
21. Body	Ductile Iron ASTM A395
22. Wedge	Ductile Iron ASTM A395
23. <sup>1</sup> Seat Ring	Stainless Steel ASTM A 351 CF8M
24. Wedge Ring	Stainless Steel ASTM A351 CF8M
25. Swing Nut	Steel ASTM A563
26. Swing Bolt	Steel ASTM A307/SAE J429
27. Grease Fitting	Alemite 1743B (not shown)
28. Stem Collar	Stainless Steel ASTM A276 (not shown)
29. Wedge Pin	Stainless Steel ASTM A276 (not shown)
30. Wedge Nut	Stainless Steel ASTM A276 (not shown)

<sup>1</sup>Lugs may be removed at customer's request – POA.



**F-637-33**  
Flanged-Raised Face



**F-637-33**  
Flg x Flg

## DIMENSIONS—WEIGHTS—QUANTITIES

Size	Dimensions										Turns to Open	Weight		
	A	B	C	D	E	Lbs.	Kg.							
In. mm.	In. mm.	In. mm.	In. mm.	In. mm.	In. mm.									
14	350	15.00	381	65.50	1664	24.00	610	21.00	533	1.38	35	29.38	890	405
16	400	16.00	406	74.50	1892	24.00	610	23.50	597	1.44	37	33.50	1253	570
18	450	17.00	432	82.50	2096	24.00	610	25.00	635	1.56	40	37.63	1598	726
20	500	18.00	457	91.00	2311	30.00	762	27.50	699	1.69	43	41.88	2000	909
24	600	20.00	508	107.50	2731	30.00	762	32.00	813	1.88	48	50.06	2908	1322

**FREEZING WEATHER PRECAUTION:** Subsequent to testing a piping system, valves should be left in an open position to allow complete drainage.

♦ For detailed Operating Pressure, refer to Pressure Temperature Chart on page 116.



**WARNING:** This product can expose you to chemicals including lead, which is known to the State of California to cause cancer and birth defects or other reproductive harm. For more information go to [www.P65Warnings.ca.gov](http://www.P65Warnings.ca.gov).

\*Weighted average lead content ≤ 0.25%

Visit our website for the most current information.