

# Class 125 All Iron Trim Iron Body Gate Valves

Bolted Bonnet • Outside Screw and Yoke • Solid Wedge

150 PSI/10.3 bar non-shock cold working pressure from -20°F to 150°F/-29°C to 66°C\*

Maximum working temperature 350°F/177°C at 100 PSI/6.9 bar

\*100 PSI/6.9 bar saturated steam to 338°F/170°C

\*\*50 PSI/3.4 bar saturated steam to 297°F/147°C

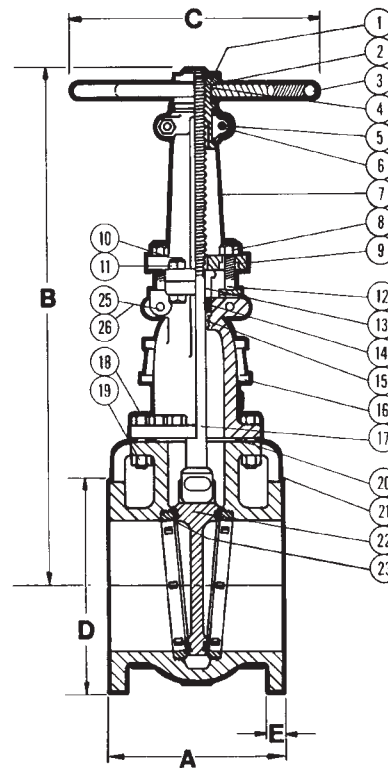
CONFORMS TO MSS SP-70

## MATERIAL LIST

PART	SPECIFICATION
1. Handwheel Nut	Ductile Iron ASTM A536
2. Identification Tag	Aluminum
3. Handwheel	Fabricated Steel
4. Yoke Bushing	Ductile Iron ASTM A536
5. Split Yoke Bolt	Steel ASTM A307/SAE J429
6. Split Yoke Bolt Nut	Steel ASTM A307
7. Yoke	Cast Iron ASTM A126 Class B
8. Gland Follower Nut	Steel ASTM A563
9. Gland Follower	Ductile Iron ASTM A536
10. Yoke Bolt	Steel ASTM A307/SAE J429
11. Yoke Bolt Nut	Steel ASTM A563
12. Gland Follower Bolt	Steel ASTM A307/SAE J429
13. Packing Gland	Steel ASTM A 108 12L14
14. Packing	Wire Reinforced Carbon Yarn, Resilient Core, Graphite and Zinc Finish
15. Backseat Bushing	Steel ASTM A108 12L14
16. Bonnet	Cast Iron ASTM A126 Class B
17. Stem	Steel ASTM A 108 12L14 Electroless Ni-Pi
18. Body Bolt	Steel ASTM A307/SAE J429
19. Body Bolt Nut	Steel ASTM A563
20. Body Gasket	Graphite/SST
21. Body	Cast Iron ASTM A126 Class B
22. Wedge	Cast Iron ASTM A126 Class B
23. Seat Ring	Cast Iron ASTM A126 Class B
24. Grease Fitting	Alemite 1743B (not shown)
25. Swing Nut	Steel ASTM A563
26. Swing Bolt	Steel ASTM A307/SAE J429
27. Stem Collar	Steel ASTM A108 12L14 (not shown)
28. Wedge Pin	Steel ASTM A 108 12L14 (not shown)
29. Wedge Nut	Ductile Iron ASTM A536 (not shown)



**F-617-ON**  
Flanged



**F-617-ON**  
Flg x Flg

## DIMENSIONS—WEIGHTS—QUANTITIES

Size	Dimensions										Turns to Open	Weight		
	A		B		C		D		E			Lbs.	Kg.	
In.	mm.	In.	mm.	In.	mm.	In.	mm.	In.	mm.	In.	mm.			
14	350	15	381	65.50	1660	24	610	21.00	533	1.38	35	29.38	890	404
16	400	16	407	74.50	1892	24	610	23.50	597	1.44	37	33.50	1252	568
18*	450	17	432	82.50	2096	24	610	25.50	635	1.56	40	37.63	1595	724
20*	500	18	457	91.00	2311	30	762	27.50	699	1.69	43	41.88	2001	907
24*	600	20	508	107.50	2731	30	762	32.00	813	1.88	48	50.06	2879	1306

\* 14" and 16"  
\*\* 18", 20" and 24"

**NOTE:** NIBCO may substitute Ductile Iron ASTM A395 (60-40-18) for ASTM A126 Class B Cast Iron for the Body, Bonnet, Wedge, or Disc. NIBCO may substitute Ductile Iron ASTM A395 (60-40-18) or ASTM A536 (65-45-12) for all other ASTM A126 Class B Cast Iron components.

**FREEZING WEATHER PRECAUTION:** Subsequent to testing a piping system, valves should be left in an open position to allow complete drainage.

◆ For detailed Operating Pressure, refer to Pressure Temperature Chart on page 116.

**WARNING:** This product can expose you to chemicals including lead, which is known to the State of California to cause cancer and birth defects or other reproductive harm. For more information go to [www.P65Warnings.ca.gov](http://www.P65Warnings.ca.gov).

Visit our website for the most current information.