

Bronze Ball Valves

Three-Piece Body • Full Port • 6" Copper Stub Ends • Type K (straight) • Type L (expanded) •
Cleaned and Bagged for OX Service • 316SS Trim • Blowout-Proof



600 PSI/41.4 bar non-shock cold working pressure
200 PSI/13.8 bar for medical gas

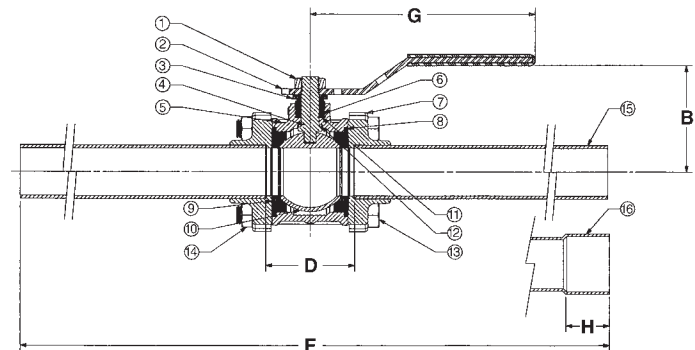
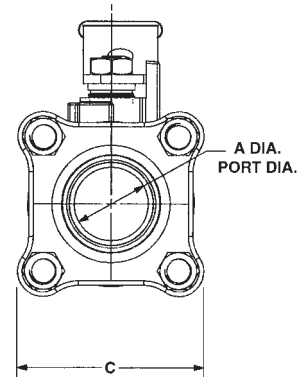
CONFORMS TO MSS SP-110

MATERIAL LIST

| PART | SPECIFICATION |
|---------------------------|--|
| 1. Handle Nut | Zinc Plated Steel |
| 2. Handle | Zinc Plated Steel Clear Chromate Plastisol Coated |
| 3. Threaded Pack Gland | Brass ASTM B 16 Alloy C36000 |
| 4. Stem | Stainless Steel ASTM A 276 Type 316 |
| 5. Body | Bronze ASTM B 584 Alloy C84400 |
| 6. Packing | PTFE |
| 7. Body End (2) | Bronze ASTM B 584 Alloy C84400 |
| 8. O-Ring Seal (2) | FKM |
| 9. Seat Ring (2) | PTFE |
| 10. Ball | Stainless Steel ASTM A 276 Type 316 or ASTM A 351 Type CF8M |
| 11. Ground Washer | Stainless Steel ASTM A 167 Type 304 |
| 12. Thrust Washer | Reinforced PTFE |
| 13. Body Bolts | Zinc Dichromate Plated Steel ASTM A 449 Grade 5 |
| 14. Body Nuts | Zinc Dichromate Plated Steel ASTM A 449 Grade 5 |
| 15. Straight Stub Out (2) | 6" Copper Tube Type K |
| 16. Expanded Stub Out (2) | 6" Copper Tube Type L (Specify EC) |



CS-595-YX-66-EC
(316SS Trim)
Copper Stub Ends



CS-595-YX-66/CS-595-YX-66-EC
CSE x CSE

Note: valves are static grounded by a grounding washer. (not shown)

Testing

The CS-595-YX series are tested to MSS SP-110.

MSS SP-110 Test parameters are as follows:

Shell Test = 80 PSI air under water for 5 seconds or 1.5 x CWP hydrostatic for 15 seconds.

Seat Test = 80 PSI air under water for 5 seconds or 1.1 CWP hydrostatic for 15 seconds.

Oxygen Cleaning

NIBCO's internal cleaning procedure for cleaned and bagged bronze ball valves meets the requirements of NFPA99 and CGA Pamphlet G-4-1.

Medical Gas Service

NFPA 99 sets a maximum operating limit for medical gases of 185 PSI.

DIMENSIONS—WEIGHTS—QUANTITIES

| Size | Dimensions | | | | | | | | | | | | | | CS-595-YX-66/EC | Master |
|---------|------------|---------|---------|----------|----------|----------|----------|---------|----------|---------|---------|---------|---------|---------|-----------------|---------|
| | A | B | C | D | F | G | H | Lbs. | Kg. | Ctn. | Qty. | | | | | |
| In. mm. | In. mm. | In. mm. | In. mm. | In. mm. | In. mm. | In. mm. | In. mm. | In. mm. | In. mm. | In. mm. | In. mm. | In. mm. | In. mm. | In. mm. | In. mm. | In. mm. |
| ½ | 15 .50 | 13 1.69 | 43 1.81 | 46 1.11 | 28 13.11 | 333 3.91 | 99 3.91 | 50 1.22 | 13 .55 | 10 | 10 | 1.22 | .55 | 10 | | |
| ¾ | 20 .75 | 19 2.00 | 51 1.94 | 50 1.41 | 36 13.41 | 341 4.66 | 118 4.66 | 75 2.25 | 19 1.02 | 10 | 10 | 2.25 | 1.02 | 10 | | |
| 1 | 25 1.00 | 25 2.25 | 57 2.50 | 64 1.81 | 46 13.81 | 351 4.66 | 118 4.66 | .91 23 | 23 3.23 | 10 | 10 | 3.23 | 1.47 | 10 | | |
| 1¼ | 32 1.25 | 32 2.79 | 40 2.69 | 68 1.96 | 50 13.96 | 355 6.69 | 170 6.69 | .97 25 | 25 4.41 | 4 | 4 | 4.41 | 2.00 | 4 | | |
| 1½ | 40 1.50 | 38 2.97 | 75 3.00 | 76 2.39 | 61 14.39 | 366 6.69 | 170 6.69 | 1.09 28 | 28 6.61 | 4 | 4 | 6.61 | 3.00 | 4 | | |
| 2 | 50 2.00 | 51 3.63 | 92 4.00 | 102 3.04 | 77 15.04 | 382 6.69 | 170 6.69 | 1.34 34 | 34 11.67 | 4 | 4 | 11.67 | 5.29 | 4 | | |

**OXYGEN
SERVICE
OPTION
AVAILABLE**

WARNING: This product can expose you to chemicals including lead, which is known to the State of California to cause cancer and birth defects or other reproductive harm. For more information go to www.P65Warnings.ca.gov. Visit our website for the most current information.