

# CPVC-CTS Ball Valve

One-Piece Molded CPVC Body • Socket Ends

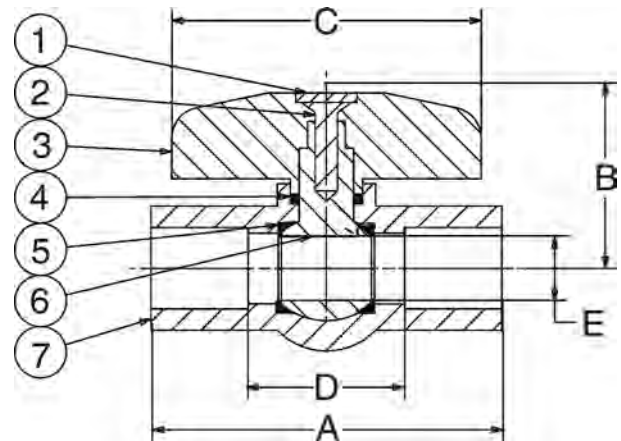
**150 PSI/10.3 Bar Non-Shock Cold Working Pressure to 73° F/23° C**  
**NSF Listed to NSF/ANSI 61**



**4770**  
Socket Weld

## MATERIAL LIST

PART	SPECIFICATION
1. Handle Cap	ABS
2. Screw	Zinc Plated Steel
3. Handle	ABS
4. O-Ring	EPDM
5. Seat (2)	PTFE
6. Ball	CPVC
7. Body	CPVC



**4770**  
Socket x Socket

## DIMENSIONS—WEIGHTS

Size	Dimensions										Weight		
	A		B		C		D		E		Lbs.	Kg.	
In.	mm.	In.	mm.	In.	mm.	In.	mm.	In.	mm.	In.	mm.		
½	15	2.68	68	1.34	34	2.36	60	1.20	33	0.49	12	.19	.08
¾	20	3.27	83	1.76	45	2.76	70	1.87	47	0.72	18	.35	.16
1	25	3.74	95	2.10	53	3.46	88	1.94	49	0.93	24	.54	.24
1¼	32	4.17	106	2.56	65	3.94	100	1.95	38	0.98	25	.70	.32
1½	40	4.49	114	2.64	67	3.94	100	1.97	50	1.18	30	1.06	.48
2	50	5.69	144	3.07	78	4.29	109	2.31	59	1.42	36	1.73	.79

Note: Socket ends per ASTM D 2846. NSF61 Approved



**WARNING:** This product can expose you to chemicals including styrene, which is known to the State of California to cause cancer. For more information go to [www.P65Warnings.ca.gov](http://www.P65Warnings.ca.gov).

**\* DO NOT USE OR TEST THE PLASTIC VALVES LISTED IN THIS CATALOG WITH COMPRESSED AIR OR OTHER GASSES.**