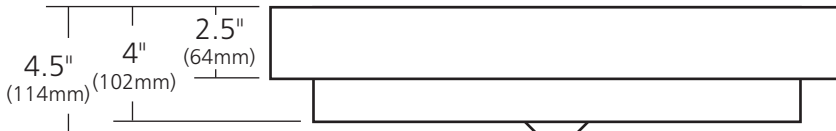
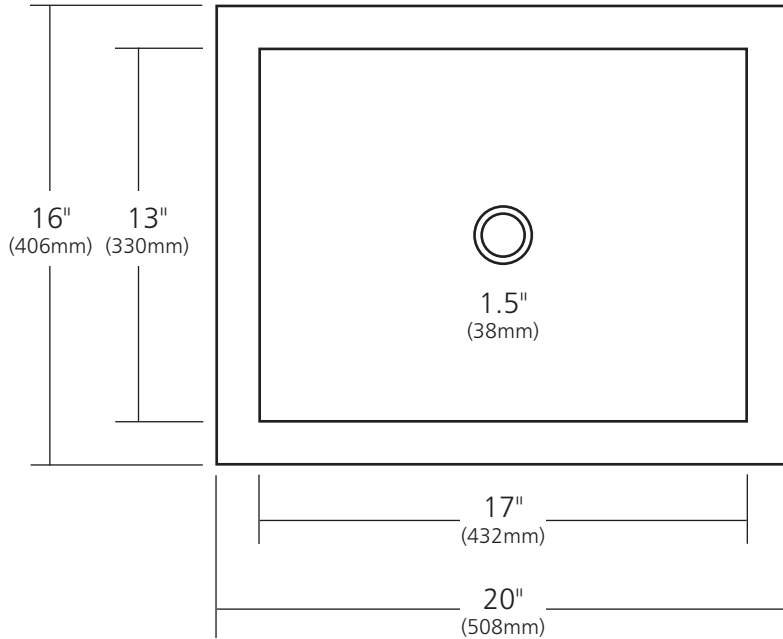


SPECIFICATIONS

TATRA



CPS246- Antique  
 CPS546- Brushed Nickel  
 CPS846- Polished Nickel

**PRODUCT DETAILS**

- 20" x 16" x 4.5" OD (508mm x 406mm x 114mm)
- 17" x 13" x 4" ID (432mm x 330mm x 102mm)
- Hand hammered 16 gauge recycled copper
- 1.5" (38mm) drain opening
- Dimensions are not exact and may vary  $\pm 1/2"$  (13mm)

*This product may be customized.  
 See [nativetrails.net/customization](http://nativetrails.net/customization) for details.*

**INSTALLATION**

- Drop-in

**COORDINATING PRODUCTS**

- Drains: DR120, DR130, DR150 or DR160
- MetalProtect™

**STANDARDS COMPLIANCE**

- UPC/cUPC compliant
- **ADA** COMPLIANT

**IMPORTANT**

Due to the handcrafted nature of this product, it will vary in finish, texture, hammering, and other details. Dimensions may vary up to 1/2" (13mm). We strongly recommend waiting for the actual product before making any installation cuts.