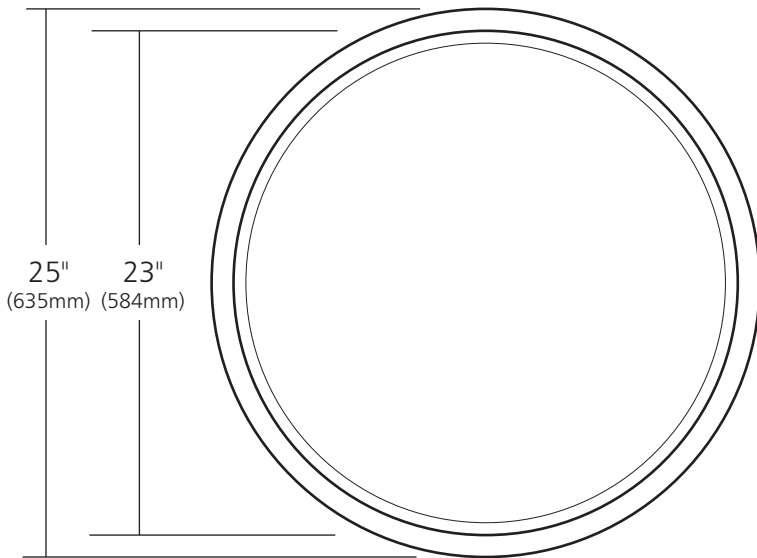


SPECIFICATIONS

DIVINITY ROUND MIRROR

MR525



PRODUCT DETAILS

- 25" diameter (635mm)
- Hand hammered aluminum
- Beveled glass

INSTALLATION

- French cleat included for easy installation

IMPORTANT

Due to the handcrafted nature of this product, it will vary in finish, texture, and other details. Dimensions may vary up to 1/2" (13mm).