

MYSON TOWEL WARMER CARE AND MAINTENANCE INSTRUCTIONS

Note: The Myson Towel Warmer uses about the same energy as a small light bulb. It does not hurt to leave the Towel Warmer plugged in continuously. If you wish to turn it off, simply switch it off. If you plan to be away for longer periods of time, conserve energy by switching it off.



- Failure to follow the installation instructions may lead to overheating and malfunction.
- Any repairs that involve opening the Towel Warmer must be carried out by the manufacturer or his representative.
- Please contact your supplier in the event of any problem or if repair is needed.



The finish of your Myson Towel Warmer can be protected and maintained by an occasional wiping with a soft, non-abrasive, damp cloth and then lightly polishing with a soft dry cloth when the Towel Warmer is cold. Under no circumstances should abrasive cleaning powders, metal polish or chlorine-based cleaners be used on any part of this product.



Fabrics that contain soap, laundry detergent, liquid fabric softener or bath oil residue may show what appears to be scorch marks. This is simply discoloration due to the residue. The Towel Warmer does not reach sufficient temperature to scorch fabric. We are not responsible for fabric discoloration due to laundry detergent, softener or bath oil. As a precaution we recommend that you place a towel directly onto the rail before placing items of clothing.

Myson, Inc. Limited 2 Year Warranty

Myson, Inc warrants the following products against defects in material and workmanship to the original owner for the duration listed from date of installation or three months after date of shipment, whichever comes first.

The remedy in all cases shall be to repair or replace the product at Myson's discretion upon verification of a factory defect. If replacement is required and an exact replacement product is no longer available, Myson reserves the right to furnish a similar product of equal value.

NO REMOVAL, SHIPPING OR INSTALLATION EXPENSES ARE REIMBURSIBLE

The original purchaser is responsible for determining the suitability of the Myson product for their installation. Installation and troubleshooting should be performed by a competent technician with knowledge of hydronic heating and/or basic electricity.

Damages occurring during shipment, transit, storage or handling, abuse, neglect, accident, misapplication, incorrect power line voltage, improper water source or connection, fire, flood or other Acts of God are not covered. Freight damage claims **MUST** be made within 10 days of receipt from Myson. No Exceptions.

What is covered:

- Plated or painted finishes will not crack, peel or flake from the surface of the rails
- Brazed or welded connections and the tubing will be free of leaks when installed according to Myson's instructions.
- Heating elements and element seals will be replaced during the warranty period at the Myson Service Center in Vermont. It is the customer's responsibility to deliver the towel warmer to the service center.

What is not covered:

- Damage to the finish from aerosol propellants, use of abrasive cleaners or pads, or use of chlorine based cleaners.
- Damage due to misapplication of product, oxygen corrosion to steel towel warmers, adverse effects of water quality or additives placed in the system.
- Any malfunction, defect or failure caused by or resulting from unauthorized service or parts.



Pearl Portable
Model: FPRL08



This is an electrical heating appliance, intended only for indoor use in homes, hotels and spas. For your safety please use your Myson Towel Warmer with the following precautions:

- DO NOT place the Towel Warmer unit inside a shower, sauna or steam room enclosure or any location where the Towel Warmer is in direct contact with water.
- The Myson Portable Towel Warmer should not be located on a bath tub ledge or come in direct contact with water.
- Do not stand, hang or sit on the Towel Warmer.
- Towel warmer must be mounted on its feet with the cord in position as shown on the front page. No other position is safe or acceptable.
- According to the National Electrical Code, all electrical work must be carried out by authorized / licensed professionals. For your safety, please ensure you adhere to these regulations.
- Please ensure that the power cord does not come in contact with the rail during operation.
- The power cord is the means of disconnecting the unit from the main power outlet.



The Towel Warmer will be hot. Please exercise caution if the Towel Warmer is accessible to children or the elderly. Please ensure that children are supervised at all times in the vicinity of the Towel Warmer and warn them that it is a hot surface that can cause burns.

READ THIS INSTRUCTION MANUAL THOROUGHLY BEFORE BEGINNING INSTALLATION AND SAVE THESE INSTRUCTIONS.

As you follow these instructions, you will notice warning and caution symbols. The symbols call out information important for the safe and efficient installation and operation of your Towel Warmer.



states a hazard: serious injury or death may occur if precautions are not followed



signals a situation where minor injury or product damage may occur if you do not follow instructions



signals that the towel warmer is hot: if contact occurs it can cause burns



highlights information that is especially relevant to a problem-free installation



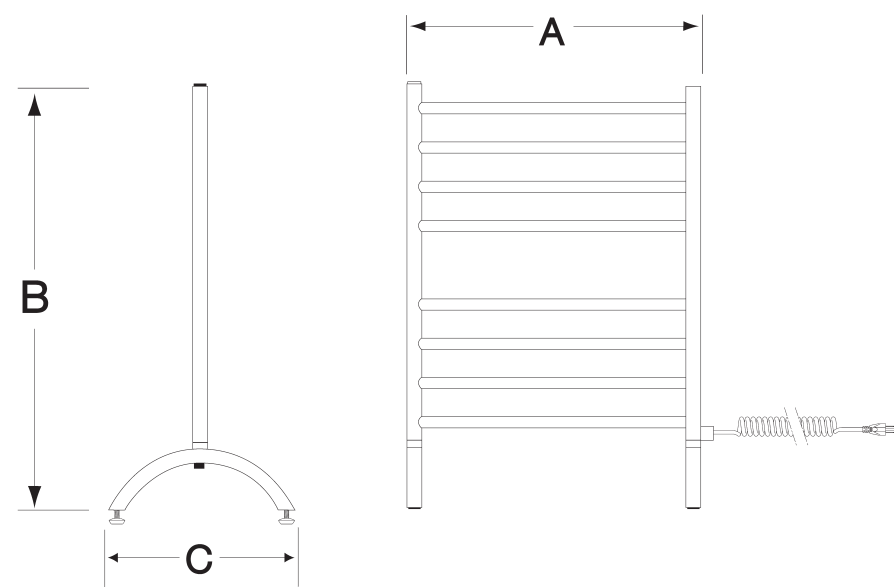
A Brand of Rettig USA Inc.

948 Hercules Drive, Colchester, VT 05446

Phone: 1-800-698-9690 • Fax: 802-654-7022

GEM Series Floor Model

Installation and Operating Instructions



Code	A	B	C	Finish	Voltage	Watts	Weight
FPRL08	24"	35.125"	14.75"	Matte Stainless	120V	110W	7lbs

The maximum temperature on an exposed surface is 135° F.

In accordance with our policy of continual product improvement, we reserve the right to amend specifications without prior notification.

ELECTRICAL SPECIFICATIONS


The Towel Warmer requires 120VAC, 60Hz power supply.


The Towel Warmer is to be protected by a separate 15 amp circuit breaker or equal.

BOX CONTENTS

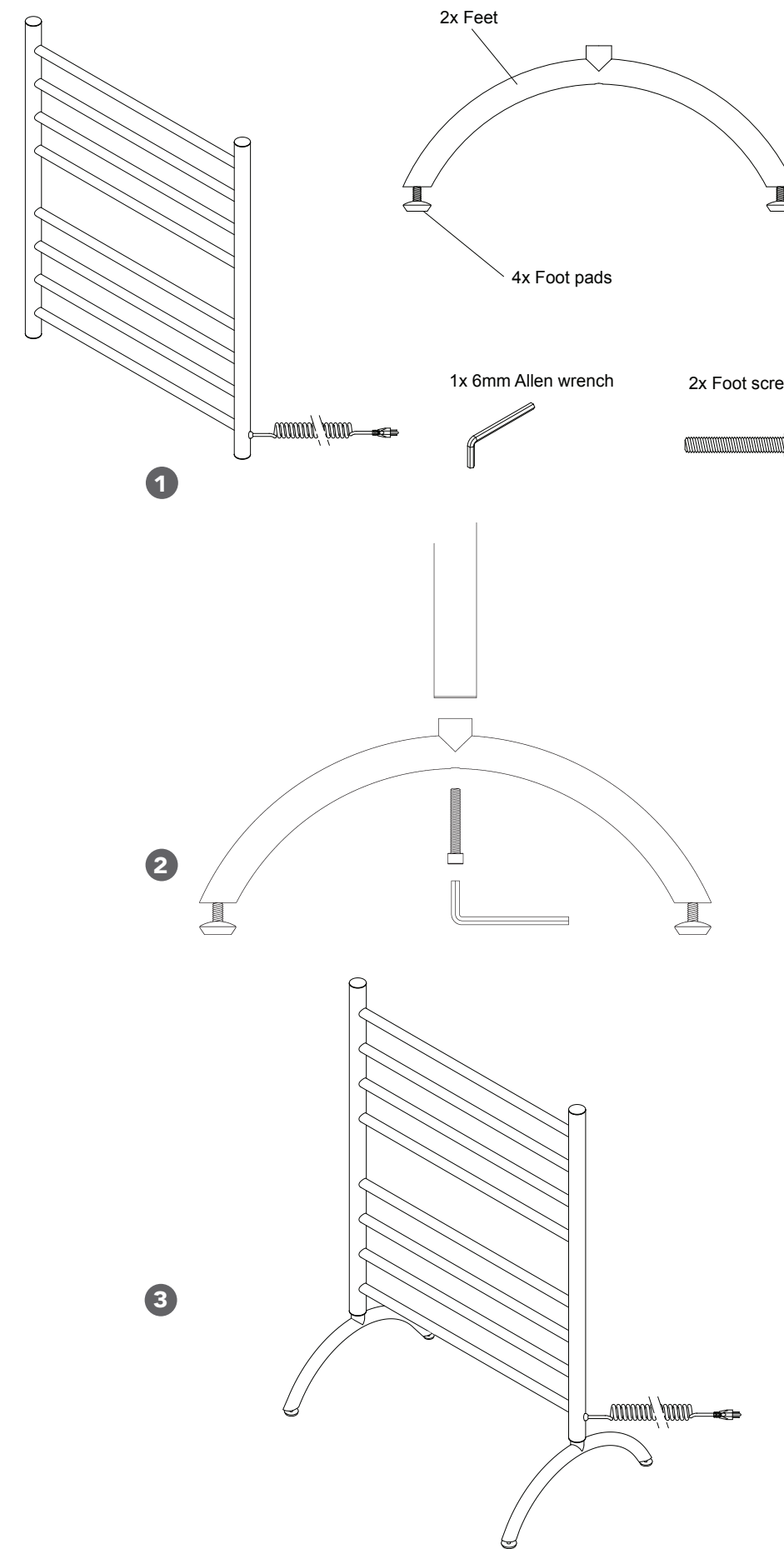
- Towel Warmer
- Fixing Kit
- Installation & Operating Instructions
- Warranty Information Sheet

Unpack the Towel Warmer carefully to avoid any damage or loss of any part. When opening the box, care should be taken not to discard packet of mounting screws. It is your responsibility to immediately inspect for any damage. Shipping damage should be reported immediately to your place of purchase.

 To avoid possible fire hazard, the Towel Warmer must be mounted as intended. **MOUNT THIS UNIT ONLY AS SHOWN IN THESE INSTRUCTIONS.** Mounting the Towel Warmer in a manner other than shown on the front page may cause it to overheat.

 The Towel Warmer must be used in accordance with any prevailing code and relevant electrical wiring rules and regulations, in particular regulations that cover the use of products and accessories in damp situations such as bathrooms, showers, laundries and other areas with fixed water containers.

 To provide continued protection against risk of electric shock, connect to properly grounded outlet only.



Installation Instructions

- 1 Check all parts have been supplied before assembling the Towel Warmer.
- 2 Place the towel warmer face down on a suitable surface.

Insert the feet into the vertical tube bars.

Insert the screws and tighten with the 6mm Allen wrench provided.

Screw foot pads in place.
- 3 Place the Towel Warmer on level ground and make sure it's sturdy and doesn't rock.
- 4 Plug in the Towel Warmer and switch it on.
- 5 Depending on room temperature, it may take up to 60 minutes for the Towel Warmer to reach optimum temperature.