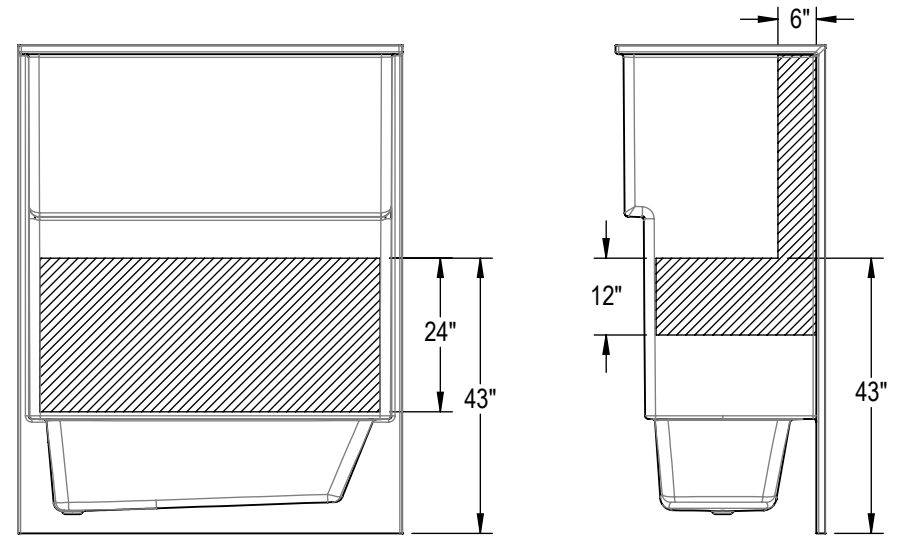


All dimensions are approximate. Structure measurements must be verified against the unit to ensure proper fit.

### Builder Backing Reinforcement Option



### Full Wall Reinforcement Option

