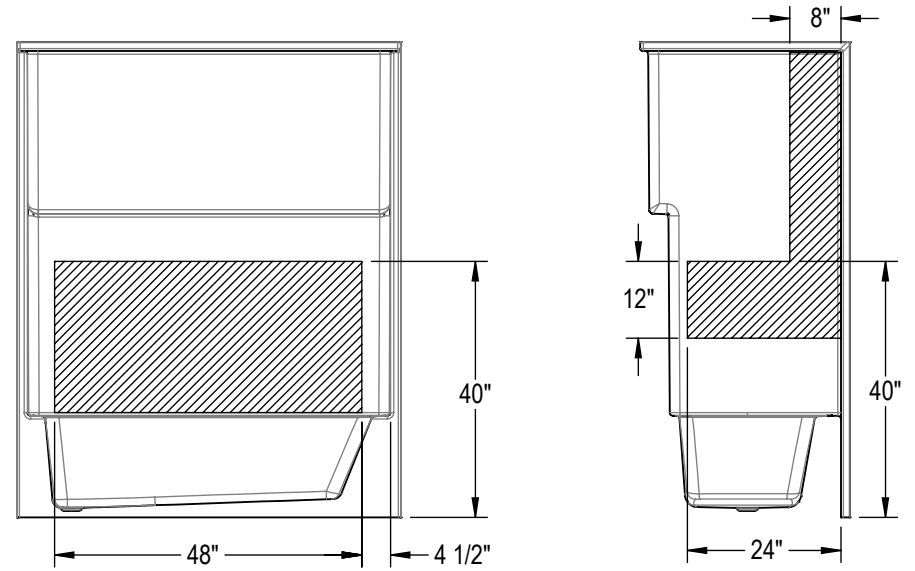


All dimensions are approximate. Structure measurements must be verified against the unit to ensure proper fit.

FHA Reinforcement Option



Full Wall Reinforcement Option

