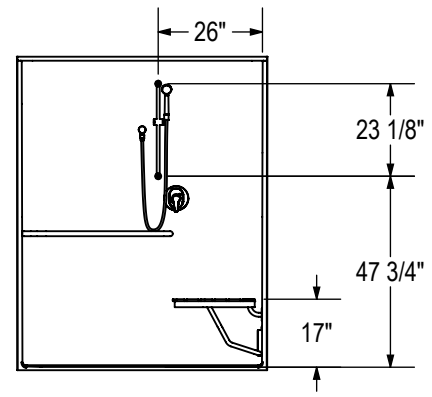
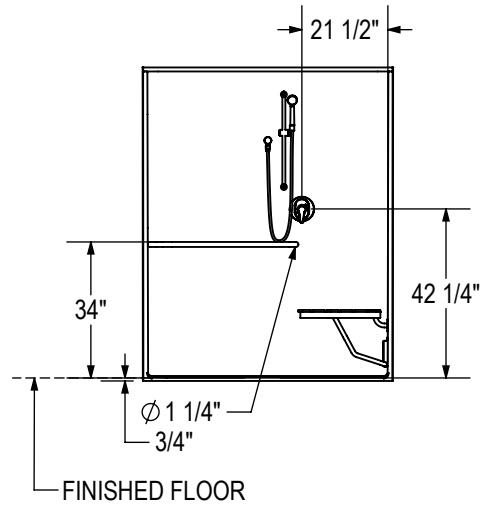
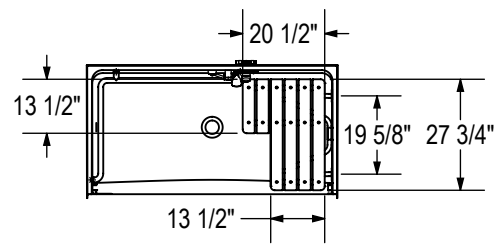
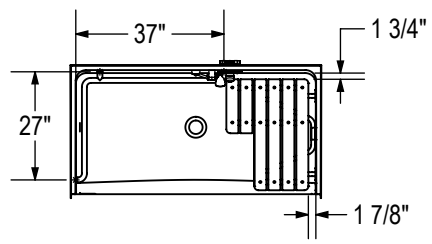


BASE MODEL WITH COMPLETE ADA/ANSI PACKAGE (WITH SEAT)
 LEFT SIDE SHOWN
 RIGHT SIDE SYMMETRICAL



FINISHED FLOOR

All dimensions are approximate. Structure measurements must be verified against the unit to ensure proper fit.