

TO COMPLETE YOUR ORDER, THIS DOCUMENT MUST BE SIGNED AND FAXED TO MAAX ORDER DESK
FAX: 1-800-527-3368 • PHONE: 1-800-523-4093

<p>DATE: _____</p> <p>CUSTOMER: _____</p> <p>SHIP TO: _____</p> <p>P.O. #: _____</p> <p>QUANTITY: _____</p> <p>_____ / /</p> <p>PLUMBING CONTRACTOR APPROVAL _____ DATE _____</p> <p>_____ / /</p> <p>ENGINEER APPROVAL _____ DATE _____</p>	<p>JOB NAME: _____</p> <p>QUOTE#: _____</p> <p>PHONE: _____</p> <p>SPECIAL NOTES: _____</p> <p>_____ / /</p> <p>GENERAL CONTRACTOR APPROVAL _____ DATE _____</p> <p>_____ / /</p> <p>ARCHITECT APPROVAL _____ DATE _____</p>
--	--

IMPORTANT NOTES:

1. MAAX assumes no responsibility for final code compliance. Information and specifications taken from this document must be confirmed with appropriate authorities.
2. Units are code compliant when fully equipped and installed according to guidelines.
3. Due to possible water leaks between the threshold of the shower and the curtain, MAAX recommends the installation of a floor drain outside the unit.

INTERIOR DIMENSIONS	60" L x 36" W x 76 5/8" H
EXTERIOR DIMENSIONS	62 1/2" L x 39 1/4" W x 78 3/4" H
SKIRT HEIGHT	3/4"
THRESHOLD HEIGHT	1/2"
WEIGHT	225 LB
MATERIAL	FIBERGLASS
WARRANTY	5 YEARS

STANDARD FEATURES

- 1-piece roll-in shower
- Reinforced according to Fair Housing Act accessibility requirements
- Center drain
- Textured bottom
- Available in standard and non-standard colors

COMPLIANT PACKAGE

Fully equipped - ADA / ANSI compliant

Shower base model with complete ADA / ANSI package (with seat)

- 1 x Horizontal L-shaped 37" x 33" textured stainless steel grab bar
- L-Shaped fold-up Phenolic white seat
- Chrome pressure balance mixing valve with hand-held shower
- Chrome 24" slide bar & 60" flexible hose

Specify colors

White Bone Biscuit

Non-standard color: _____

Options

- 60" Chrome curtain rod (factory-installed)
- Chrome recessed soap dish (drilled, not installed)

Accessories (sold separately)

- Solid Brass drain with Chrome plated stainless steel grid
- 60" White vinyl shower curtain with stainless steel hooks

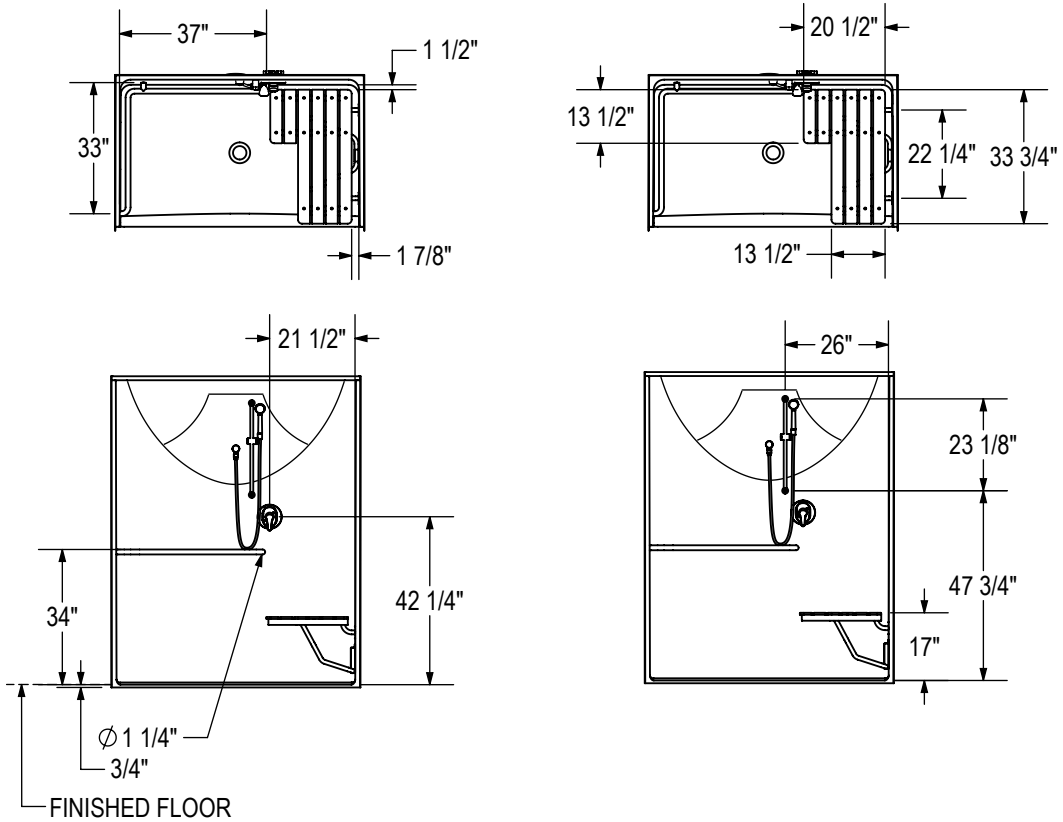
(106081-R/L)



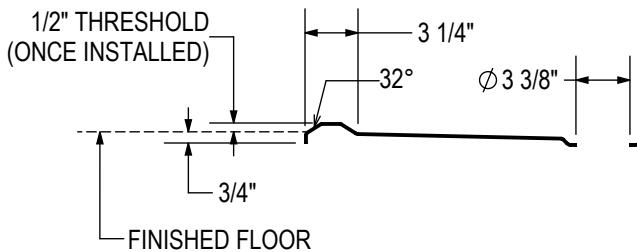
TO COMPLETE YOUR ORDER, THIS DOCUMENT MUST BE SIGNED AND FAXED TO MAAX ORDER DESK
FAX: 1-800-527-3368 • PHONE: 1-800-523-4093

TECHNICAL DRAWINGS

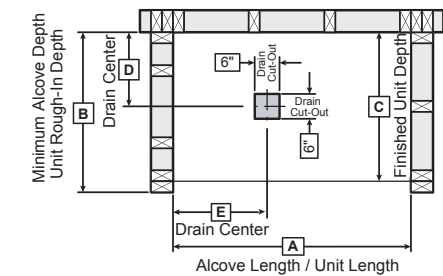
Left side shown
Right side symmetrical



DAM PROFILE



FRAMING DIMENSIONS



Model	A	B	C	D	E
106081	62 1/2"	39 1/4"	38 1/4"	19 1/2"	31 1/4"

MINIMUM CLEARANCE

SHOWER 60" X 36"	
ADA/ANSI	
F	60"
G	30"

Clearance zone from the control wall and adjacent to the open face.

