

# B3X 4836 Acrylic Corner Right Shower Base

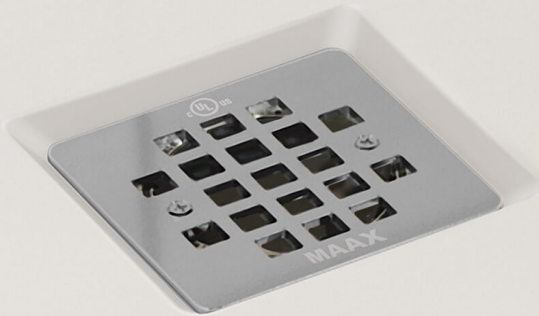
**Model number:**

420029

**Dimensions:** 47.875" x 35.875" x 4"

**Installation:**

**Material:** Acrylic



## Standard Features:

- 3 1/4 in. threshold acrylic shower base with square center drain
- Optimized floor design improving showering space
- Available with Stabili-T anti-slip bottom meeting ADA, ANSI or CSA requirements
- 2 1/2 in. high tiling flanges to ensure watertightness
- Integrated weep holes providing superior water management
- Square chrome grid and drain included (ABS or PVC available)

## Product characteristics:

- Made in North America
- Integrated Weep Holes
- Recommended for Tile Applications Only

## Warranty:

25 Years

## Standard Colors:



White (001)



Bone (004)



Biscuit (007)

## Certifications

MAAX products adhere to one or more of the following certifications:



## Recommended products (Visit our website for a complete list of our recommended products)

| No                              | Description   |
|---------------------------------|---|
| <input type="checkbox"/> 138460 | Vela 44 1/2-47 x 78 3/4 in. 8mm Sliding Shower Door for Alcove Installation       |
| <input type="checkbox"/> 137311 | Return Panel 74 Return Panel for 36 in. Base                                      |
| <input type="checkbox"/> 135870 | Nebula 44 1/2-46 1/2 x 78 3/4 in. 8mm Sliding Shower Door for Alcove Installation |

# B3X 4836 Acrylic Corner Right Shower Base

**Model number:**

420029

**Dimensions:** 47.875" x 35.875" x 4"

**Installation:**

**Material:** Acrylic

## Dimensions

48 x 36 x 4 In.  
(1216 x 911 x 102 mm)

## Weight

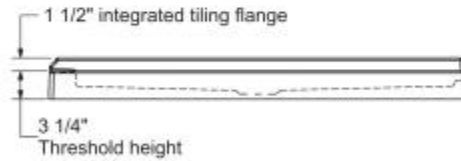
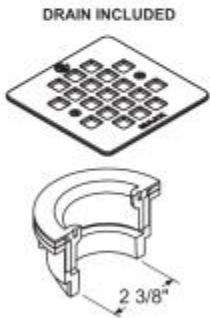
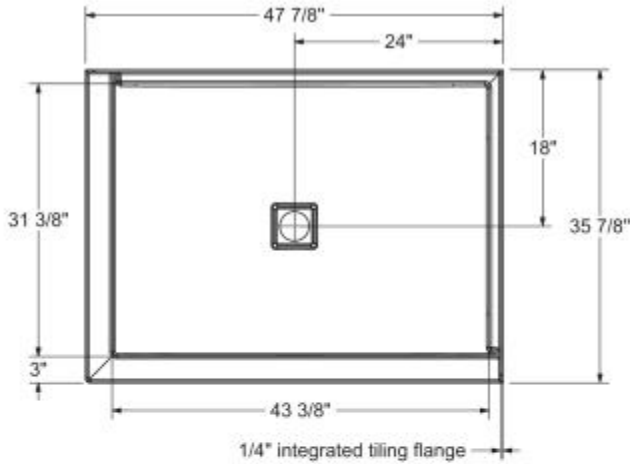
47 lbs - 21.32 kg

## Shape

Rectangular

## Drain location:

Center



All dimensions are approximate. Structure measurements must be verified against the unit to ensure proper fit.

Project: \_\_\_\_\_

Contractor: \_\_\_\_\_

Representative: \_\_\_\_\_

Date: \_\_\_\_\_

Tel: \_\_\_\_\_

Notes: \_\_\_\_\_

\_\_\_\_\_

\_\_\_\_\_