

B3X 4836 Acrylic Corner Left Shower Base

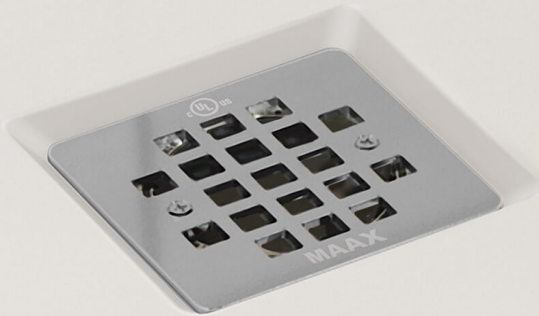
Model number:

420028

Dimensions: 47.875" x 35.875" x 4"

Installation:

Material: Acrylic



Standard Features:

- 3 1/4 in. threshold acrylic shower base with square center drain
- Optimized floor design improving showering space
- Available with Stabili-T anti-slip bottom meeting ADA, ANSI or CSA requirements
- 2 1/2 in. high tiling flanges to ensure watertightness
- Integrated weep holes providing superior water management
- Square chrome grid and drain included (ABS or PVC available)

Product characteristics:

- Made in North America
- Integrated Weep Holes
- Recommended for Tile Applications Only

Warranty:

25 Years

Standard Colors:



White (001)



Bone (004)



Biscuit (007)

Certifications

MAAX products adhere to one or more of the following certifications:



Recommended products (Visit our website for a complete list of our recommended products)

No	Description
<input type="checkbox"/> 138460	Vela 44 1/2-47 x 78 3/4 in. 8mm Sliding Shower Door for Alcove Installation
<input type="checkbox"/> 137311	Return Panel 74 Return Panel for 36 in. Base
<input type="checkbox"/> 135870	Nebula 44 1/2-46 1/2 x 78 3/4 in. 8mm Sliding Shower Door for Alcove Installation

B3X 4836 Acrylic Corner Left Shower Base

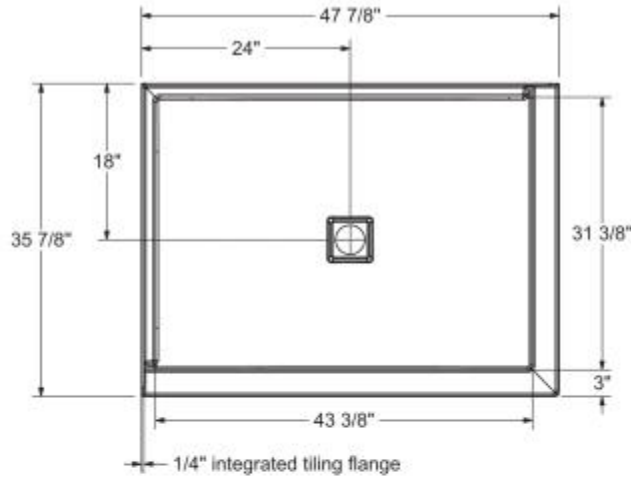
Model number:

420028

Dimensions: 47.875" x 35.875" x 4"

Installation:

Material: Acrylic



Dimensions

48 x 36 x 4 In.
(1216 x 911 x 102 mm)

Weight

47 lbs - 21.32 kg

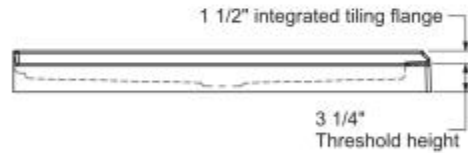
Shape

Rectangular

Drain location:

Center

DRAIN INCLUDED



All dimensions are approximate. Structure measurements must be verified against the unit to ensure proper fit.

Project: _____

Contractor: _____

Representative: _____

Date: _____

Tel: _____

Notes: _____

