

# B3X 4836 Acrylic Corner Left Shower Base

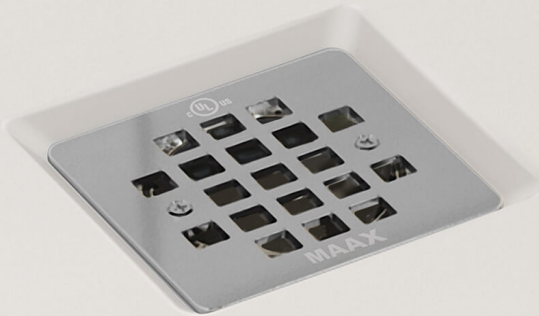
**Model number:**

420028

**Dimensions:** 47.875" x 35.875" x 4"

**Installation:**

**Material:** Acrylic



## Standard Features:

- 3 1/4 in. threshold acrylic shower base with square center drain
- Optimized floor design improving showering space
- Available with Stabili-T anti-slip bottom meeting ADA, ANSI or CSA requirements
- 2 1/2 in. high tiling flanges to ensure watertightness
- Integrated weep holes providing superior water management
- Square chrome grid and drain included (ABS or PVC available)

## Product characteristics:

- Made in North America
- Integrated Weep Holes
- Recommended for Tile Applications Only

## Warranty:

25 Years

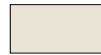
## Standard Colors:



White (001)



Bone (004)



Biscuit (007)

## Certifications

MAAX products adhere to one or more of the following certifications:



## Recommended products (Visit our website for a complete list of our recommended products)

No	Description
<input type="checkbox"/> 138460	Vela 44 1/2-47 x 78 3/4 in. 8mm Sliding Shower Door for Alcove Installation
<input type="checkbox"/> 137311	Return Panel 74 Return Panel for 36 in. Base
<input type="checkbox"/> 135870	Nebula 44 1/2-46 1/2 x 78 3/4 in. 8mm Sliding Shower Door for Alcove Installation

# B3X 4836 Acrylic Corner Left Shower Base

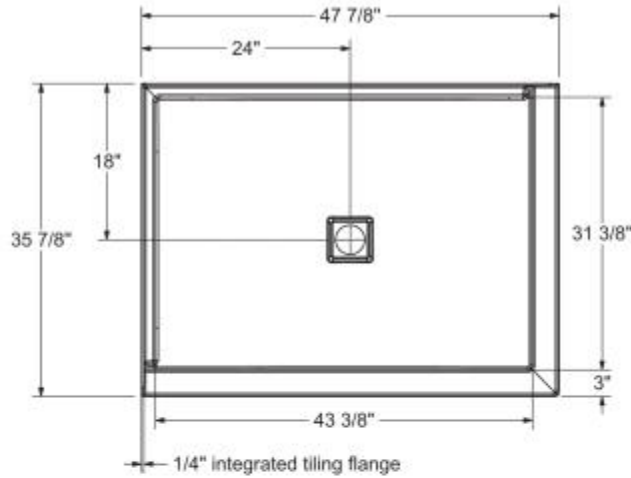
**Model number:**

420028

**Dimensions:** 47.875" x 35.875" x 4"

**Installation:**

**Material:** Acrylic



## Dimensions

48 x 36 x 4 In.  
(1216 x 911 x 102 mm)

## Weight

47 lbs - 21.32 kg

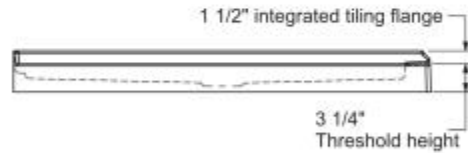
## Shape

Rectangular

## Drain location:

Center

DRAIN INCLUDED



All dimensions are approximate. Structure measurements must be verified against the unit to ensure proper fit.

Project: \_\_\_\_\_

Contractor: \_\_\_\_\_

Representative: \_\_\_\_\_

Date: \_\_\_\_\_

Tel: \_\_\_\_\_

Notes: \_\_\_\_\_

\_\_\_\_\_  
\_\_\_\_\_