

B3Square 4832 Acrylic Configurable Shower Base

Model number:

420001

Dimensions: 47.875" x 31.875" x 4"

Installation:

Material: Acrylic



Standard Features:

- Acrylic rectangular shower base with square drain
- 3 in. threshold and smooth floor
- Certain configurations available with Stabili-T anti-slip bottom meeting ADA, ANSI or CSA standards
- Center drain
- Square chrome grid and drain included (ABS or PVC available)
- Multiple grid finishes available

Product characteristics:

- Made in North America
- Utile Compatible
- Bestseller

Warranty:

25 Years

Standard Colors:



White (001)



Bone (004)



Biscuit (007)

Certifications

MAAX products adhere to one or more of the following certifications:



Recommended products (Visit our website for a complete list of our recommended products)

| No | Description |
|---------------------------------|--|
| <input type="checkbox"/> 134950 | Halo Pro 48 x 32 x 78 3/4 in Sliding Shower Door for Corner Installation |
| <input type="checkbox"/> 134954 | Halo Pro 48 x 32 x 78 3/4 in. 8mm Sliding Shower Door with Towel Bar for Corner Installation |
| <input type="checkbox"/> 134674 | Kameleon SC 43-47 x 71 in. 8 mm Sliding Shower Door for Alcove Installation |

B3Square 4832 Acrylic Configurable Shower Base

Model number:

420001

Dimensions: 47.875" x 31.875" x 4"

Installation:

Material: Acrylic

Dimensions

48 x 32 x 4 In.
(1216 x 810 x 102 mm)

Weight

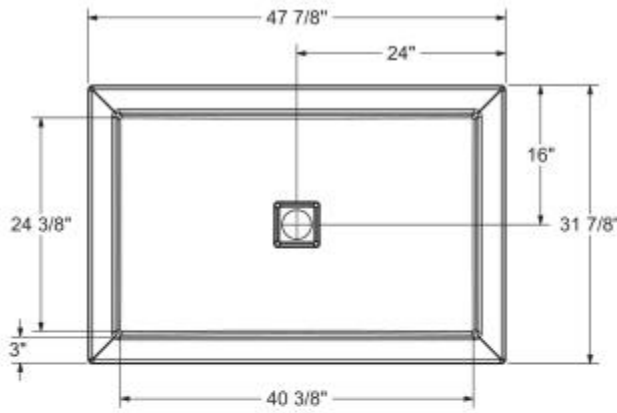
41 lbs - 18.59 kg

Shape

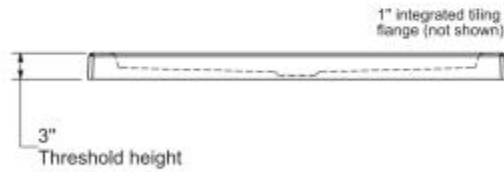
Rectangular

Drain location:

Center



DRAIN INCLUDED
ON B3 SQUARE ONLY



This technical drawing is universal for every 4832 configuration.

Integrated tiling flange : 1" height x 1/4" thick (not shown)
Tiling flange position is determined by chosen configuration.

All dimensions are approximate. Structure measurements
must be verified against the unit to ensure proper fit.

Project:

Contractor:

Representative:

Date:

Tel:

Notes: