

# B3Square 4832 Acrylic Configurable Shower Base

**Model number:**

420001

**Dimensions:** 47.875" x 31.875" x 4"

**Installation:**

**Material:** Acrylic



## Standard Features:

- Acrylic rectangular shower base with square drain
- 3 in. threshold and smooth floor
- Certain configurations available with Stabili-T anti-slip bottom meeting ADA, ANSI or CSA standards
- Center drain
- Square chrome grid and drain included (ABS or PVC available)
- Multiple grid finishes available

## Product characteristics:

- Made in North America
- Utile Compatible
- Bestseller

## Warranty:

25 Years

## Standard Colors:



White (001)



Bone (004)



Biscuit (007)

## Certifications

MAAX products adhere to one or more of the following certifications:



## Recommended products (Visit our website for a complete list of our recommended products)

No	Description
<input type="checkbox"/> 134950	Halo Pro 48 x 32 x 78 3/4 in Sliding Shower Door for Corner Installation
<input type="checkbox"/> 134954	Halo Pro 48 x 32 x 78 3/4 in. 8mm Sliding Shower Door with Towel Bar for Corner Installation
<input type="checkbox"/> 134674	Kameleon SC 43-47 x 71 in. 8 mm Sliding Shower Door for Alcove Installation

# B3Square 4832 Acrylic Configurable Shower Base

**Model number:**

420001

**Dimensions:** 47.875" x 31.875" x 4"

**Installation:**

**Material:** Acrylic

## Dimensions

48 x 32 x 4 In.  
(1216 x 810 x 102 mm)

## Weight

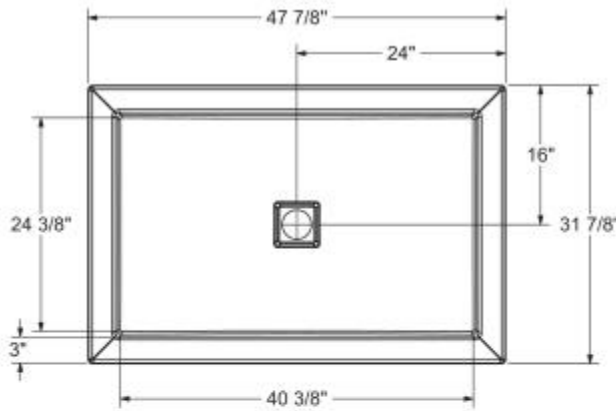
41 lbs - 18.59 kg

## Shape

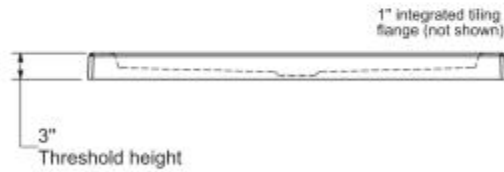
Rectangular

## Drain location:

Center



DRAIN INCLUDED  
ON B3 SQUARE ONLY



This technical drawing is universal for every 4832 configuration.

Integrated tiling flange : 1" height x 1/4" thick (not shown)  
Tiling flange position is determined by chosen configuration.

All dimensions are approximate. Structure measurements  
must be verified against the unit to ensure proper fit.

Project:

Contractor:

Representative:

Date:

Tel:

Notes: