

# B3Round 6030 Acrylic Configurable Shower Base

**Model number:**

410004

**Dimensions:** 59.875" x 29.875" x 4"

**Installation:**

**Material:** Acrylic

## Standard Features:

- Acrylic rectangular shower base with round drain
- Smooth floor
- Right, left or back end drain
- Certain configurations available with Stabili-T anti-slip bottom meeting ADA, ANSI or CSA standards
- Drain not included
- 3" threshold base

## Product characteristics:

- Made in North America
- Low Threshold
- Bestseller

## Warranty:

25 Years



## Standard Colors:



White (001)



Bone (004)



Biscuit (007)

## Certifications

MAAX products adhere to one or more of the following certifications:



## Recommended products (Visit our website for a complete list of our recommended products)

No	Description
<input type="checkbox"/> 138470	Vela 56 ½-59 x 78 ¾ in. 8mm Sliding Shower Door for Alcove Installation
<input type="checkbox"/> 135875	Nebula 56 ½-58 ½ x 78 ¾ in. 8mm Sliding Shower Door for Alcove Installation
<input type="checkbox"/> 137504	Edge Duo 42 x 75 in. 8 mm Pivot Shower Shield

# B3Round 6030 Acrylic Configurable Shower Base

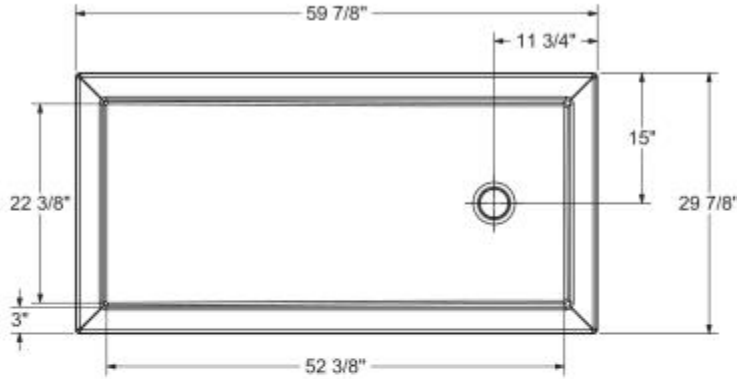
**Model number:**

410004

**Dimensions:** 59.875" x 29.875" x 4"

**Installation:**

**Material:** Acrylic



## Dimensions

60 x 30 x 4 In.  
(1521 x 759 x 102 mm)

## Weight

52 lbs - 23.58 kg

## Shape

Rectangular

## Drain location:

Back End

Left

Right

This technical drawing is universal for every 6030 configuration.

Integrated tiling flange : 1" height x 1/4" thick (not shown)  
Tiling flange position is determined by chosen configuration.

All dimensions are approximate. Structure measurements  
must be verified against the unit to ensure proper fit.

Project:

Contractor:

Representative:

Date:

Tel:

Notes: