

# B3Round 4836 Acrylic Configurable Shower Base

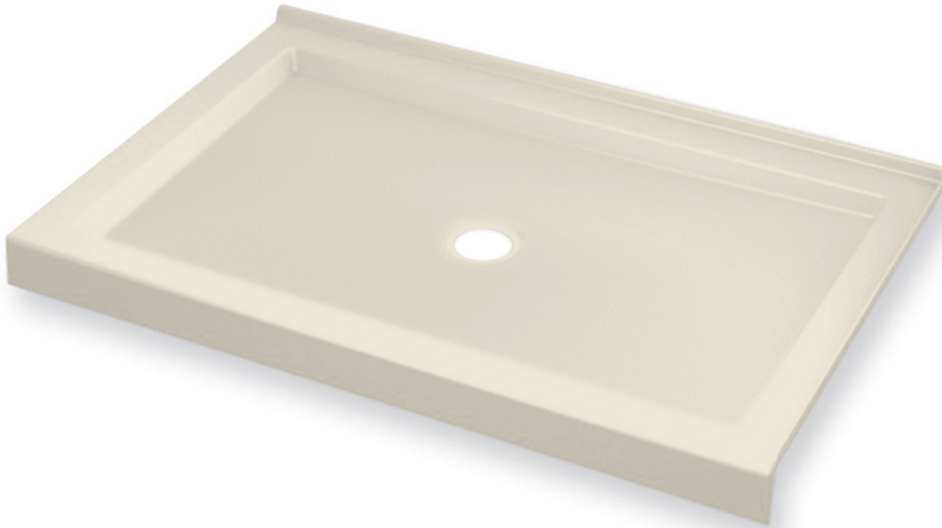
**Model number:**

410003

**Dimensions:** 47.875" x 35.875" x 4"

**Installation:**

**Material:** Acrylic



## Standard Features:

- Acrylic rectangular shower base with round drain
- Smooth floor
- Center drain
- Certain configurations available with Stabili-T anti-slip bottom meeting ADA, ANSI or CSA standards
- Drain not included
- 3" threshold base

## Product characteristics:

- Made in North America
- Utile Compatible
- Bestseller

## Warranty:

25 Years

## Standard Colors:



White (001)



Bone (004)



Biscuit (007)

## Certifications

MAAX products adhere to one or more of the following certifications:



## Recommended products (Visit our website for a complete list of our recommended products)

No	Description
<input type="checkbox"/> 139583	Reveal Sleek 71 Return Panel for 36 in. Base
<input type="checkbox"/> 136675	Reveal 71 Return Panel for 36 in. Base
<input type="checkbox"/> 135870	Nebula 44 1/2-46 1/2 x 78 3/4 in. 8mm Sliding Shower Door for Alcove Installation

# B3Round 4836 Acrylic Configurable Shower Base

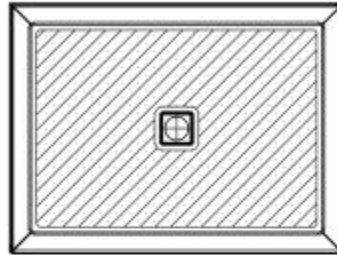
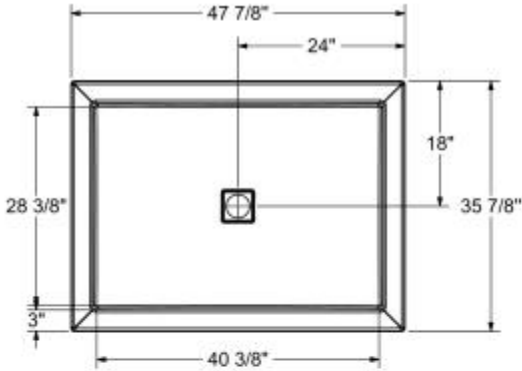
**Model number:**

410003

**Dimensions:** 47.875" x 35.875" x 4"

**Installation:**

**Material:** Acrylic



The hatched area represent the anti-slip surface

## Dimensions

48 x 36 x 4 In.  
(1216 x 911 x 102 mm)

## Weight

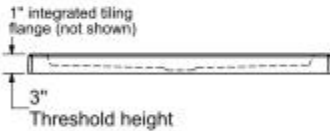
47 lbs - 21.32 kg

## Shape

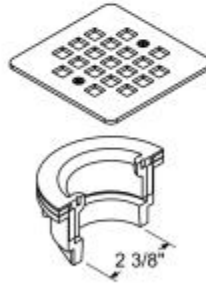
Rectangular

## Drain location:

Center



DRAIN INCLUDED ON B3 SQUARE ONLY



This technical drawing is universal for every 4836 configuration.

Integrated tiling flange : 1" height x 1/4" thick (not shown)  
Tiling flange position is determined by chosen configuration.

All dimensions are approximate. Structure measurements must be verified against the unit to ensure proper fit.

Project:

Contractor:

Representative:

Date:

Tel:

Notes: